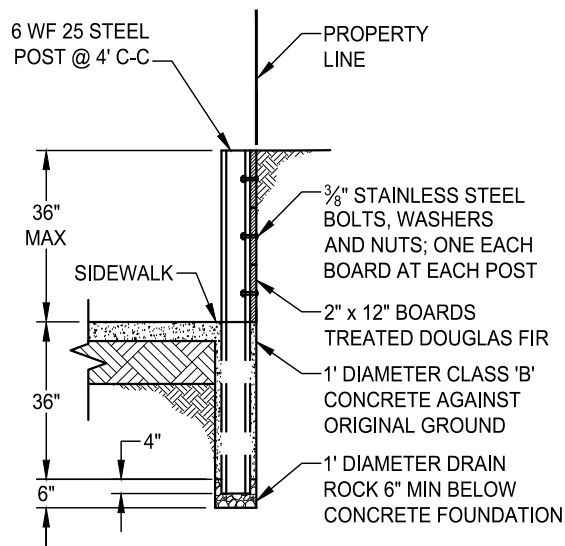


**SIDE VIEW**



**DETAIL FOR SIDEWALK BARRICADE WITH RETAINING WALL**

**NOTES:**

1. SIDEWALK BARRICADES TO BE ERECTED AT EACH LOCATION WHERE SATISFACTORY PROVISION CAN NOT BE MADE FOR PEDESTRIAN TO CONTINUE BEYOND THE TERMINUS OF A SIDEWALK AND A HAZARD IS PRESENT.
2. ALL EXPOSED SURFACES OF BARRICADES SHALL BE PAINTED WITH TWO (2) COATS OF WHITE PAINT CONFORMING TO STATE OF CALIFORNIA STANDARD SPECIFICATIONS SECTION 91-3.

DATE: 09/22/2007		NOT TO SCALE	
REVISION	BY	APPROVED	DATE

CITY OF ELK GROVE - PUBLIC WORKS

**SIDEWALK BARRICADE**

APPROVED BY:  
*Paul M. Muddoch*  
CITY ENGINEER  
10/24/2018  
DATE



DRAWING NUMBER

**ST - 43**