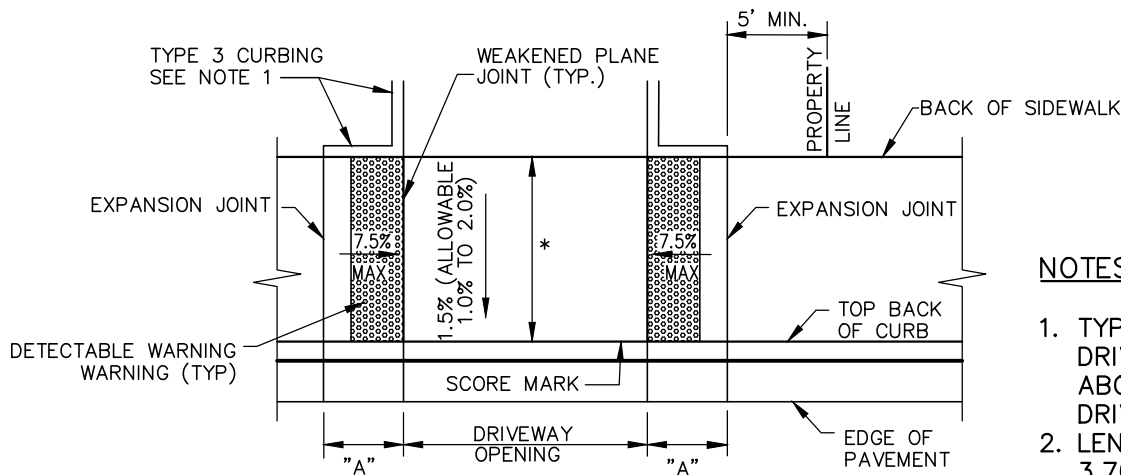


**TYPICAL DRIVEWAY SECTION**

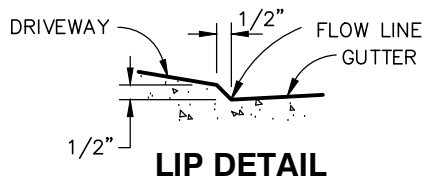
SLOPE OF GUTTER	"A" (APPROX. LENGTH)
0.25% TO 0.65%	6'-0"
> 0.65% TO 1.75%	7'-0"
> 1.75% TO 2.55%	8'-0"
> 2.55% TO 3.20%	9'-0"
> 3.20% TO 3.70%	10'-0"
> 3.70%	SEE NOTE 2



**NOTES:**

1. TYPE 3 CURBING ON SITE SHALL EXTEND TO WHERE THE DRIVEWAY APPROACH IS A MINIMUM OF FOUR INCHES ABOVE THE BACK OF SIDEWALK ELEVATION AT THE DRIVEWAY.
2. LENGTH OF DRIVEWAY FLAIR ON STREETS STEEPER THAN 3.70% SHALL REQUIRE SPECIAL APPROVAL BY DESIGN CHIEF OF THE DEPARTMENT OF TRANSPORTATION.
3. A 1/2-INCH CONCRETE BATTER SHALL BE PLACED ON ALL CURB LIPS.
4. SEE STD. DWG. AR-4.7 FOR ELEMENTS NOT SHOWN HEREON.

\* DRIVEWAY APRON MATCHES SIDEWALK WIDTH



DATE: 09/22/2007		NOT TO SCALE	
REVISION	BY	APPROVED	DATE
1	LM	TW	07-18-2019

CITY OF ELK GROVE - PUBLIC WORKS

**COMMERCIAL DRIVEWAYS  
TYPE A-6**

APPROVED BY:  
*Robert Muroch*  
CITY ENGINEER

1/16/2020  
DATE

DRAWING NUMBER  
**ST - 20**

