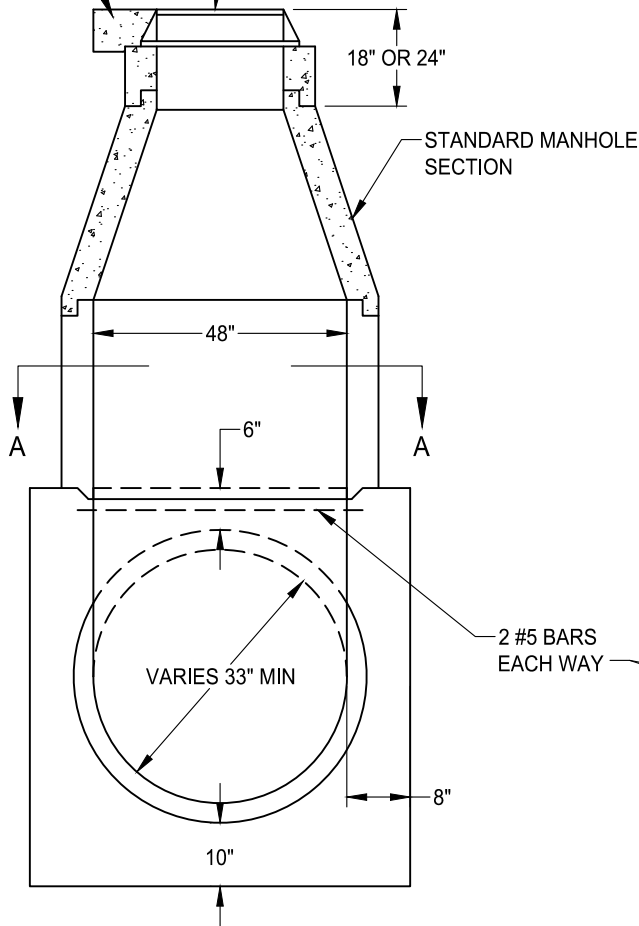
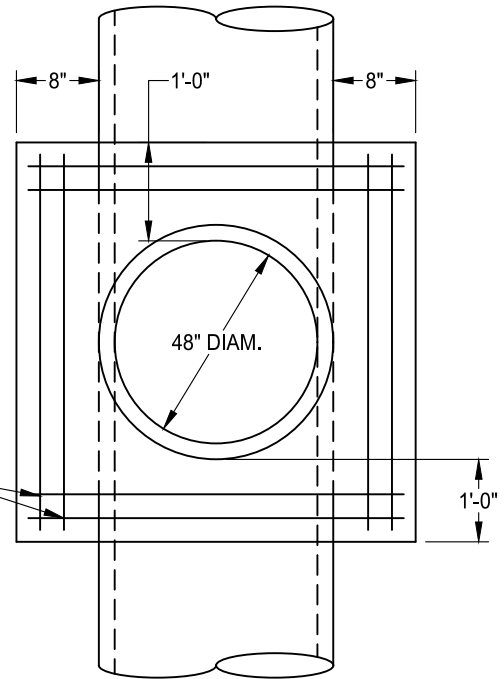


CONCRETE COLLAR  
(SEE STD DWG SD-7)

STANDARD 24" FRAME AND COVER  
SEE NOTES ON STD DWG SD-7



**TYPE B**



**SECTION A-A**

**NOTES:**

1. CONCRETE SHALL BE CLASS "A" IN CONFORMANCE WITH ARTICLE 50-5 "PORTLAND CEMENT CONCRETE."
2. SEE SECTION 39, "MANHOLES."

DATE: 09/22/2017		NOT TO SCALE	
REVISION	BY	APPROVED	DATE

CITY OF ELK GROVE - PUBLIC WORKS

APPROVED BY:  
*Paul Mulock*  
CITY ENGINEER  
10/24/2018  
DATE

**TYPE B  
SADDLE MANHOLE**



DRAWING NUMBER

**SD - 8B**