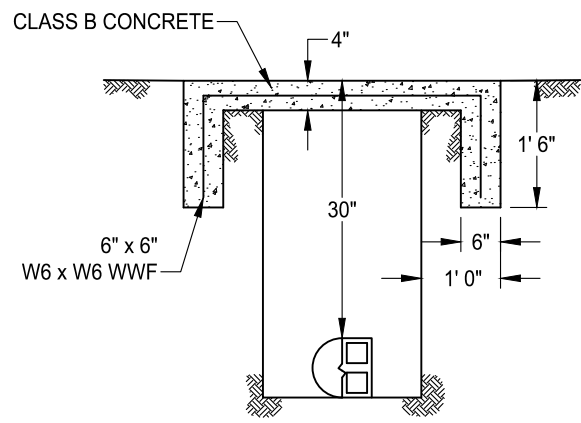


SECTION A-A



SECTION B-B

NOTES:

1. ALL UTILITY CROSSINGS OF EXISTING STREAMS SHALL BE AT LEAST 30" BELOW EXISTING CHANNEL SIDES AND BOTTOMS. DEEPER PLACEMENT MAY BE REQUIRED IF FUTURE CHANNEL IMPROVEMENTS ARE ANTICIPATED.
2. THE CUT SHALL BE SEALED AS SHOWN WITH GROUTED COBBLES OR CLASS B CONCRETE TO A WIDTH OF 1 FOOT EACH SIDE OF THE UTILITY TRENCH. ALL NATURAL STREAMS, AS SHOWN ON THE NATURAL STREAMS PLAN, SHALL UTILIZED GROUTED COBBLES.
3. CONSTRUCTION IS TO CONFORM TO SECTION 44 OF THE CITY OF ELK GROVE CONSTRUCTION SPECIFICATIONS WITH CUT OFF WALLS CONFORMING TO STANDARD DRAWING SD-30.

DATE: 09/22/2017		NOT TO SCALE	
REVISION	BY	APPROVED	DATE

CITY OF ELK GROVE - PUBLIC WORKS

UTILITY STREAM CROSSING

APPROVED BY:
Robert M. Muddoch
CITY ENGINEER

10/24/2018
DATE

DRAWING NUMBER
SD - 31

