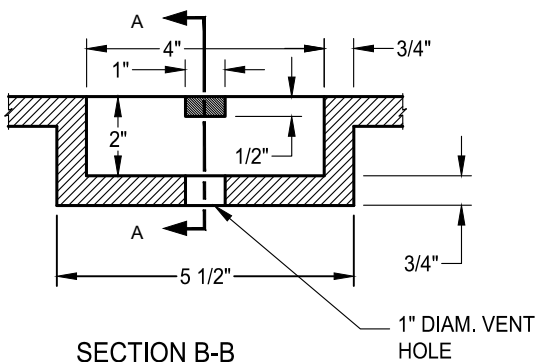
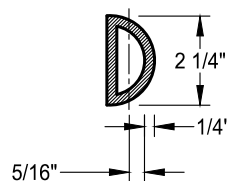


SECTION C-C

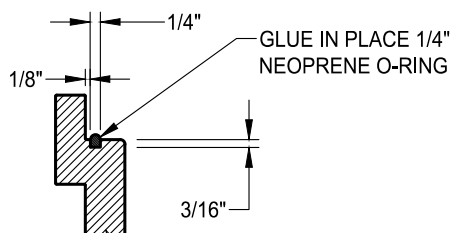


SECTION B-B

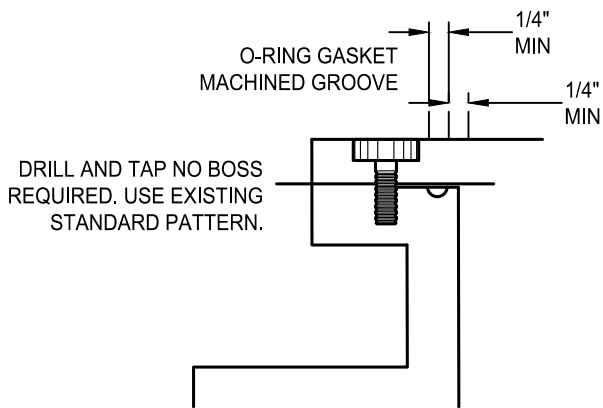
1" DIAM. VENT HOLE



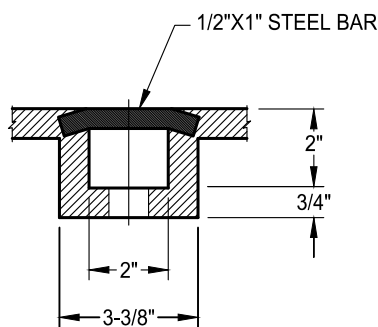
DETAIL B



DETAIL A



BOLT DOWN COVER DETAIL



SECTION A-A

DATE: 09/22/2017		NOT TO SCALE	
REVISION	BY	APPROVED	DATE

CITY OF ELK GROVE - PUBLIC WORKS

**GREY CAST IRON
STANDARD 36" MANHOLE
FRAME & COVER (PAGE 2 OF 2)**

APPROVED BY:

Paul Mudoch

CITY ENGINEER

10/24/2018

DATE



DRAWING NUMBER

SD - 10.2