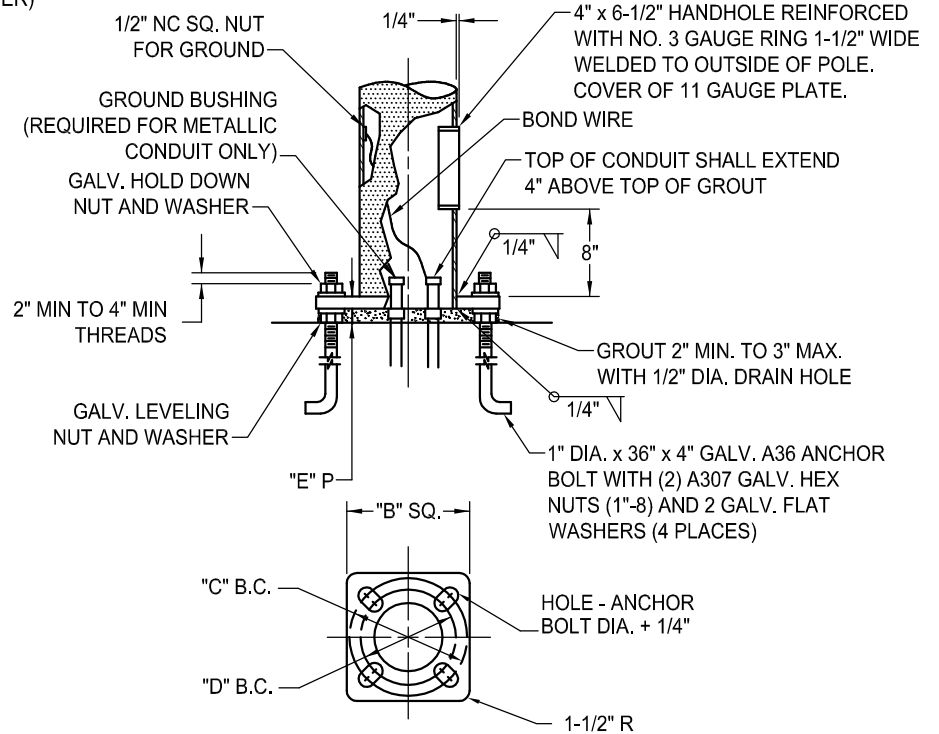
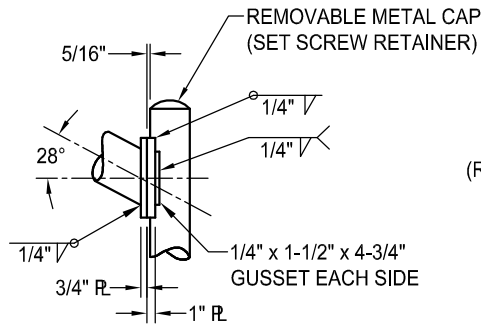


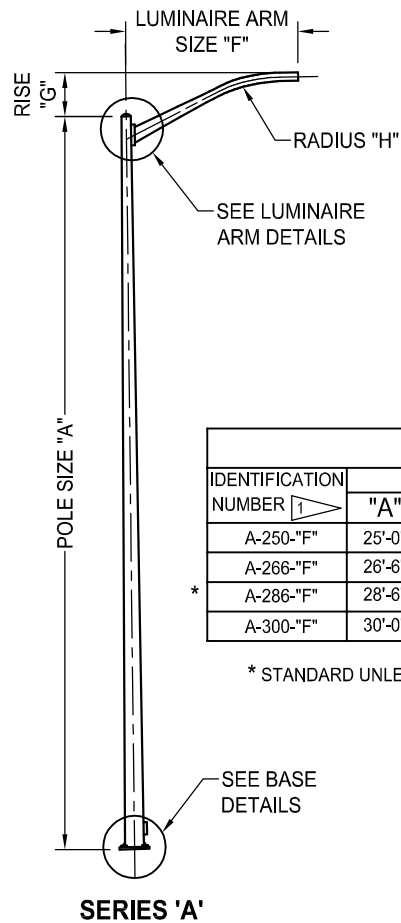
LUMINAIRE ARM DETAILS



BASE DETAILS

NOTES:

- SERIES 'A' NUMBERING PROCEDURE
 POLE SIZE 'A' → A-286-8
 SERIES → LUMINAIRE ARM SIZE 'F'
 (STANDARD UNLESS OTHERWISE SPECIFIED)
- STANDARD SHALL BE INSTALLED SO HANDHOLE FACES THE STREET.



FOUNDATION DIMENSIONS		
	SQUARE	ROUND
SERIES 'A'	2'6" x 2'6" x 5'	2'6" x 5'

LUMINAIRE ARM DATA						
"F"	END OD	BASE OD	GA	"G"	"H"	
6'-0"	2-3/8"	3-3/8"	10	1'-6"	7'-5"	
* 8'-0"	2-3/8"	3-11/16"	10	2'-3"	7'-5"	
10'-0"	2-3/8"	3-7/8"	10	2'-6"	13'-3"	
12'-0"	2-3/8"	4-5/16"	10	3'-9"	13'-3"	
15'-0"	2-3/8"	4-3/4"	10	4'-3"	13'-3"	
18'-0"	2-3/8"	4-3/4"	10	5'-3"	13'-3"	

'A' SERIES									
IDENTIFICATION NUMBER	POLE DATA				BASE PLATE DATA				ANCHOR BOLTS
	"A"	TOP OD	BASE OD	GA	"B"	"C"	"D"	"E"	
A-250-"F"	25'-0"	3-7/8"	7-5/16"	10	12"	11-1/2"	11"	1"	1" x 36" x 4"
A-266-"F"	26'-6"	3-7/8"	7-1/2"	10	12"	11-1/2"	11"	1"	1" x 36" x 4"
* A-286-"F"	28'-6"	3-7/8"	7-3/4"	10	12"	11-1/2"	11"	1"	1" x 36" x 4"
A-300-"F"	30'-0"	3-7/8"	8"	10	12"	11-1/2"	11"	1"	1" x 36" x 4"

* STANDARD UNLESS OTHERWISE SPECIFIED

DATE: 09/04/2007		NOT TO SCALE	
REVISION	BY	APPROVED	DATE

CITY OF ELK GROVE - PUBLIC WORKS

COMMON TYPE ELECTROLIER
(SERIES 'A')

APPROVED BY:

CITY ENGINEER

DRAWING NUMBER

SL - 20

