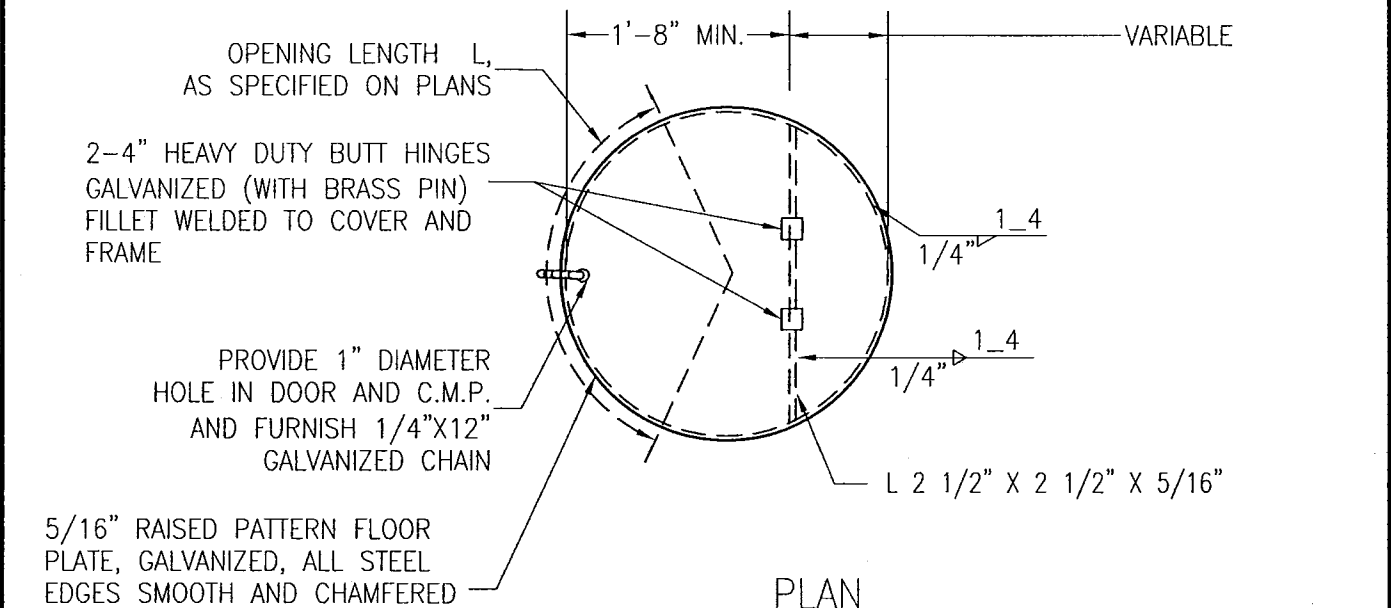


PLAN
42" DIAMETER TO 72" DIAMETER
C.M.P. INLET



PLAN
24" DIAMETER TO 36" DIAMETER
C.M.P. INLET

DATE: 01/17/2007		NOT TO SCALE		CITY OF ELK GROVE - PUBLIC WORKS		APPROVED BY:	
				CORRUGATED METAL PIPE DRAINAGE INLET TYPE I		CITY ENGINEER	
				(PG 1 OF 2)		DRAWING NUMBER SD - 21.1	

CITY OF ELK GROVE
CALIFORNIA