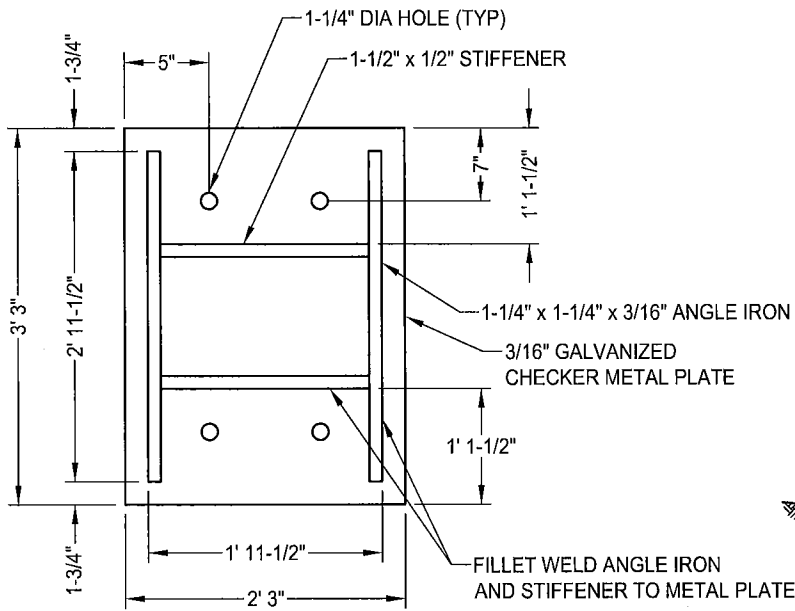
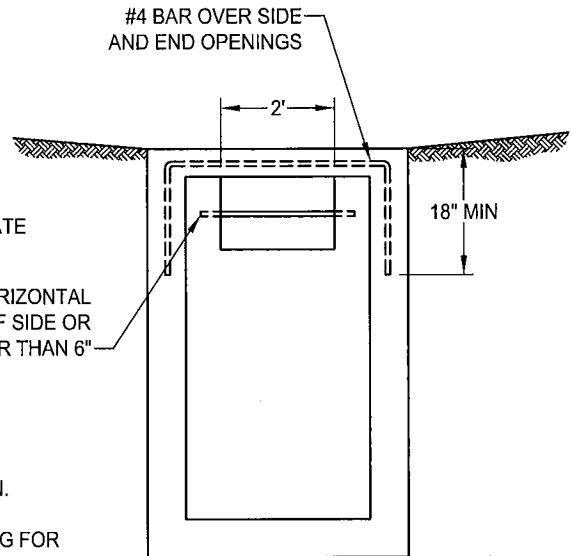


**SECTION A-A**



**METAL COVER (UNDERSIDE)**

PLACE 1/2" DIA HORIZONTAL BAR IN CENTER OF SIDE OR END OPENING GREATER THAN 6"



**SECTION B-B**

**NOTES:**

1. PROVIDE 1/4" x 18" GALVANIZED CHAIN WELD TO COVER AND EYE BOLT.
2. PROVIDE END OR SIDE OPENINGS AS SHOWN ON PLANS OR CROSS SECTION.
3. TOP OF WALLS TO BE FINISHED TO A FLAT PLANE TO PROVIDE EVEN BEARING FOR PLATE COVER.
4. ALL METALS SHALL BE GALVANIZED PER ASTM A123.

DATE: 01/24/2007		NOT TO SCALE		CITY OF ELK GROVE - PUBLIC WORKS		APPROVED BY:	
				<b>DROP INLET TYPE F</b>		CITY ENGINEER	
REVISION	BY	APPROVED	DATE			DRAWING NUMBER	
						<b>SD - 18</b>	