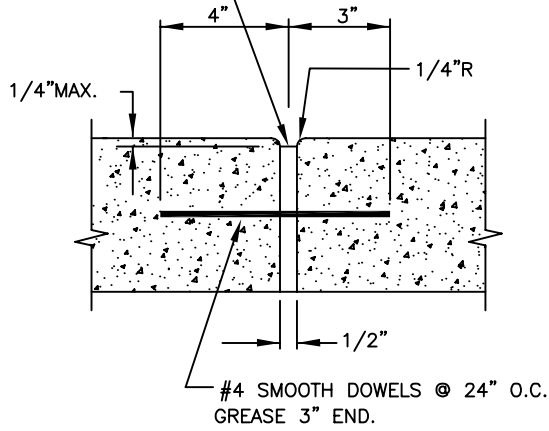
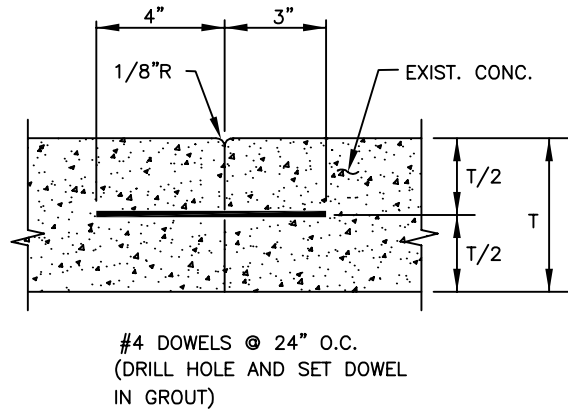


EXPANSION JOINT  
FILLER MATERIAL  
(MATCH FULL  
CONCRETE SECTION)

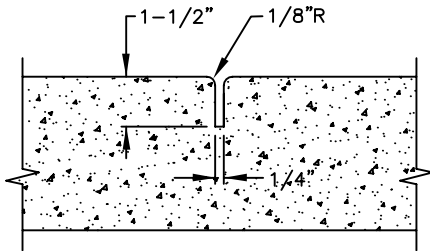


EXPANSION JOINT

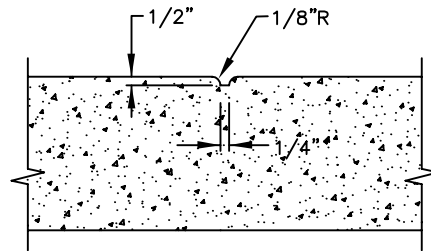


SIDEWALK CONTACT JOINT

(USE WHERE NEW CONSTRUCTION OF S/W AND  
OR CURB & GUTTER ABUTTS EXISTING IMPROVEMENTS.)




WEAKENED PLANE JOINT



SCORE MARK

NOTE:  
JOINT SPACING PER SECTION 27-3.01

DATE: 01/19/2007		NOT TO SCALE		CITY OF ELK GROVE - PUBLIC WORKS		APPROVED BY:	
REVISION	BY	APPROVED	DATE	<b>STANDARD CONCRETE JOINT DETAILS</b>		CITY ENGINEER	
						DRAWING NUMBER	
							
						<b>ST - 39</b>	