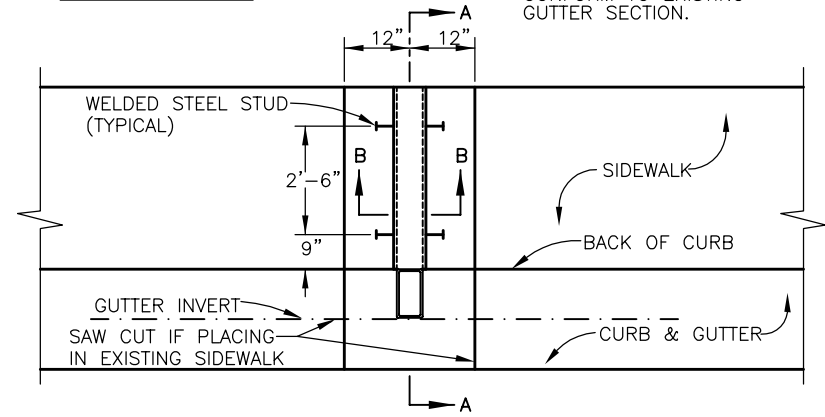


NOTE:  
GALVANIZE AFTER FABRICATION



PLAN VIEW OF CURB, GUTTER & SIDEWALK

DATE: 01/19/2007		NOT TO SCALE	
REVISION	BY	APPROVED	DATE

CITY OF ELK GROVE - PUBLIC WORKS

**UNDER  
SIDEWALK DRAIN**

APPROVED BY:

\_\_\_\_\_  
CITY ENGINEER

DRAWING NUMBER  
**ST - 34**

