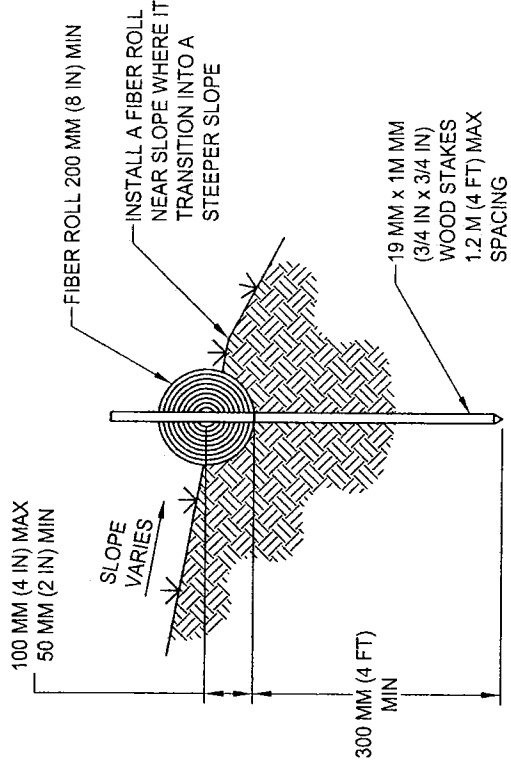
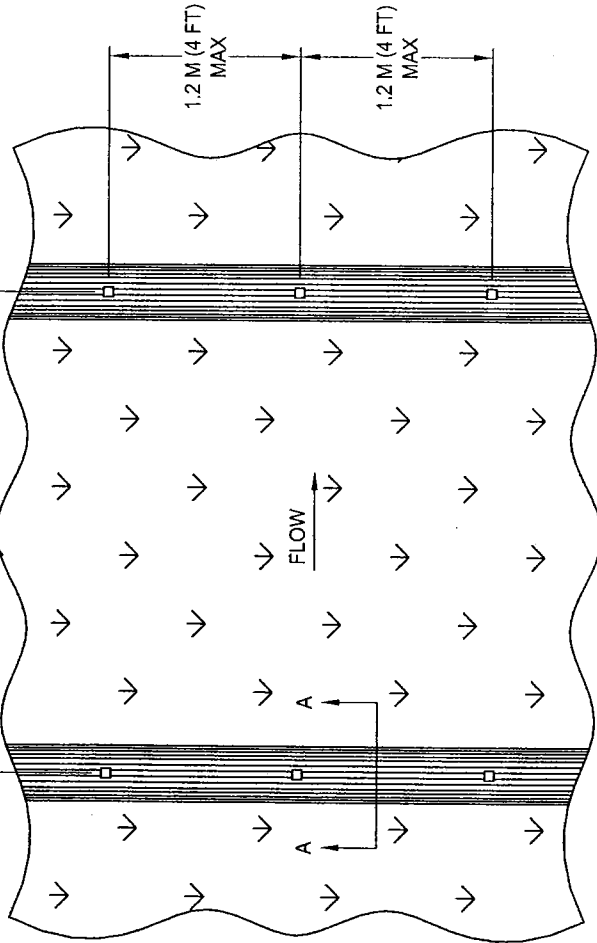


VERTICAL SPACING MEASURED
ALONG THE FACE OF THE SLOPE
VARIES BETWEEN 2.4 M - 6.0 M
(8 FT - 20 FT)



TYPICAL FIBER ROLL INSTALLATION

SECTION A-A

NOTES:

1. INSTALL FIBER ROLL IN A ROW ALONG A LEVEL CONTOUR.
2. AT ENDS OF A ROW TURN THE LAST TWO FEET UP SLOPE SLIGHTLY.
3. FIBER ROLLS SHALL BE BUTTED TIGHTLY AT THE JOINTS.
4. DO NOT OVERLAP JOINTS.

DATE: 01/18/2007	NOT TO SCALE	CITY OF ELK GROVE - PUBLIC WORKS		APPROVED BY:
REVISION BY	APPROVED	FIBER ROLLS		CITY ENGINEER
	DATE			DRAWING NUMBER SQ - 4

