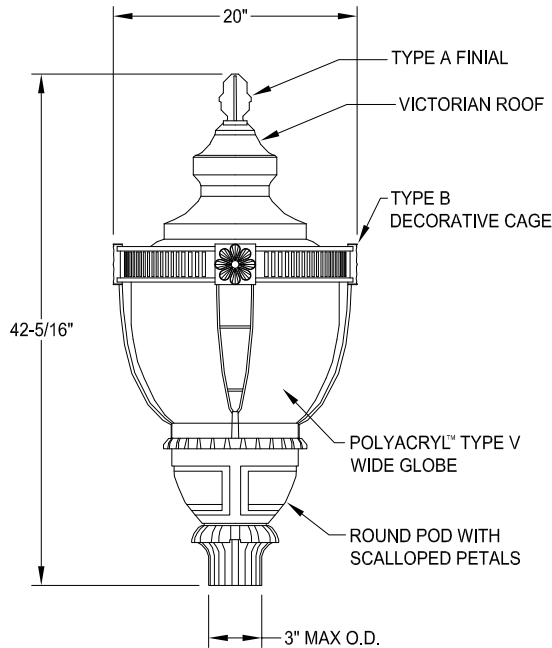


HADCO® WIDE REFRACTIVE GLOBE SERIES LUMINAIRE

Maximum weight - 50 lbs
Maximum effective projected area - 2.20 sq. ft.



WATTAGE
100 S = 100 W HPS

VOLTAGE
E = 120 VOLT

FINISH
A = BLACK

FASTENER
1 = HEX HEAD BOLT

REFLECTOR
T = FULL TOP

PHOTOCONTROL
N = NONE

SOCKET
G = MOGUL

FULL PRODUCT NO:
R53BABA1ATNG100SE

SPECIFICATIONS

GENERAL DESCRIPTION

ROUND FITTER WITH SCALLOPED PETALS IS CONSTRUCTED OF DIE-CAST 360 ALUMINUM ALLOY WITH SIDE-HINGED DOOR PROVIDING 180° ENTRY INTO THE FITTER ASSEMBLY FOR ACCESS TO THE ELECTRICAL COMPONENTS. ACCEPTS STANDARD HADCO TWISTLOCK BALLAST ASSEMBLIES UP TO 310W HPS OR 320W MH. WIRING BLOCK TO ACCEPT THREE #8 SOLID OR STRANDED WIRES. INTERNAL TWIST-LOCK PHOTO EYE RECEPTACLE. ACCESS TO PHOTO EYE THROUGH THE DOOR ON THE POD. HEAVY CAST ALUMINUM POST

SPECIFICATIONS (CONT.)

FITTER UTILIZES FOUR 5/16-18 BLACK CADMIUM STAINLESS STEEL SET SCREWS (HEX HEAD OR ALLEN HEAD AS SPECIFIED) FOR MOUNTING TO 3" O.D. POST TENON. GLOBE HOLDER HAS AN INTERNAL WATER TRAP TO PREVENT WATER FROM ENTERING BALLAST COMPARTMENT. GLOBE IS HELD BY UTILIZING FOUR 5/16-18 BLACK CADMIUM STAINLESS STEEL FASTENERS (HEX HEAD OR ALLEN HEAD AS SPECIFIED). ALL HARDWARE TO BE STAINLESS STEEL AND CAPTIVE. POD HEIGHT IS 12-1/4" AND WIDTH IS 11-1/2". FINISH IS POLYESTER THERMOSET POWDERCOAT.

ROOF

VICTORIAN STYLE ROOF IS CLEAR INJECTION MOLDED U.V. STABILIZED ACRYLIC WITH 99 HORIZONTAL PRISMS FOR A SOFT, EVEN GLOW. 13" HEIGHT AND 16-1/2" WIDTH. THE ROOF AND BOTTOM GLOBE SECTIONS ARE SECURED IN A SLIP-FIT, 1/2" OVERLAP DESIGN AND USE FOUR #10-24 STAINLESS STEEL PAN HEAD SCREWS WITH FOUR ALUMINUM NUTSERTS PROVIDING A MECHANICAL LOCK AND ENABLING FUTURE REPLACEMENT OF EITHER THE ROOF OR BOTTOM GLOBE SECTION IF REQUIRED.

CAGE

CAGE FOR WIDE BODY GLOBES (16-1/2" DIA.) IS CONSTRUCTED OF DIE-CAST 360 ALUMINUM ALLOY. CAGE HAS 4 LEGS EACH WITH SQUARE DECORATIVE FLOWER BLOCK. SOLID RECTANGULAR BAND AROUND TOP OF CAGE. HEIGHT OF CAGE IS 15" AND WIDTH OF CAGE IS 20". FINISH IS POLYESTER THERMOSET POWDERCOAT.

FINIALS

ALL FINIALS ARE CAST ALUMINUM MOUNTED WITH 1/4-20 STAINLESS STEEL THREADED STUDS. STANDARD FINIAL FINISH WILL MATCH FIXTURE FINISH AS SPECIFIED. FINISH IS THERMOSET POWDERCOAT.

FASTENERS

HEX HEAD BOLTS: BLACK CADMIUM STAINLESS STEEL.

FINISH

THERMOSET POLYESTER POWDERCOAT IS ELECTROSTATICALLY APPLIED AFTER A FIVE-STAGE CONVERSION CLEANING PROCESS AND BONDED BY HEAT FUSION THERMOSETTING. LABORATORY TESTED FOR SUPERIOR WEATHERABILITY AND FADE RESISTANCE IN ACCORDANCE WITH ASTM B-117-64 AND ANSI/ASTM G53-77 SPECIFICATIONS.

OPTICAL ASSEMBLY

TYPE V WIDE BODY GLOBE IS CONSTRUCTED OF CLEAR INJECTION-MOLDED U.V. STABILIZED ACRYLIC. A TWO-PIECE (GLOBE AND ROOF) SLIP-FIT, 1/2" OVERLAP, DESIGN UTILIZES NUTSERTS AND STAINLESS STEEL FASTENERS, WHICH ELIMINATES A "BUTT-GLUE" SEAM APPEARANCE. THE OPTICAL SECTION OF THE GLOBE HAS A NECK OPENING OF 7-3/8" AND AN OUTSIDE NECK DIAMETER OF 8". GLOBE (LESS THE ROOF) HAS A 12-7/8" HEIGHT AND 16-3/4" WIDTH AT THE TOP WITH 98 HORIZONTAL PRISMS AND 360 HIGHLY POLISHED VERTICAL PRISMS.

REFLECTOR

TOP REFLECTOR IS 0.04" THICK HYDROFORMED ALUMINUM WITH A CLEAR ANODIZED HIGHLY SPECULAR FINISH. DIAMETER IS 14-1/4" AND HEIGHT IS 6-1/4". REFLECTOR RESTS ON TOP INTERNAL PRISM WALL OF THE BOTTOM GLOBE SECTION TO CONTROL UPLIGHT.

ELECTRICAL ASSEMBLY


TWISTLOCK BALLAST ASSEMBLY WITH QUICK DISCONNECTS FOR EASY MAINTENANCE. BALLASTS ARE HPF CORE AND COIL. 4KV RATED MOGUL BASE PORCELAIN SOCKET. NICKEL-PLATED SCREW SHELL WITH CENTER CONTACT. 4KV RATED MEDIUM BASE PORCELAIN SOCKET. NICKEL-PLATED SCREW SHELL WITH CENTER CONTACT.

BALLAST

ALL HID BALLASTS ARE CORE AND COIL AND REGULATED WITH POWER FACTORS BETTER THAN 90% (HPF). BALLAST PROVIDES +/- 5% LAMP POWER REGULATION WITH +/- 10% INPUT VOLTAGE REGULATION. BALLASTS ARE FACTORY PRE-WIRED AND TESTED. METAL HALIDE BALLASTS ARE CAPABLE OF STARTING AT -20° F OR -30° C AND HPS AT -40° F OR -40° C.

CERTIFICATION

UL LISTED TO U.S. SAFETY STANDARDS FOR WET LOCATIONS. MANUFACTURED TO ISO 9001:2000 STANDARDS

DATE: 02/05/2007		NOT TO SCALE		CITY OF ELK GROVE - PUBLIC WORKS		APPROVED BY:	
REVISION	BY	APPROVED	DATE	<h2>OLD TOWN LUMINAIRE</h2> <p>(SERIES 'B')</p>		CITY ENGINEER	
						DRAWING NUMBER	
							
						<h1>SL - 47</h1>	