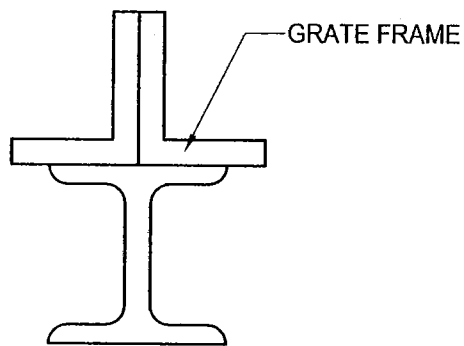


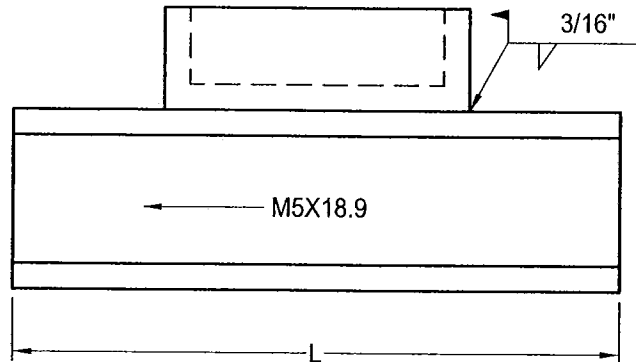
**PLAN**

**NOTES:**

1. OMIT 1/2" FRAME ANCHORS OVER CENTER SUPPORT.
2. L=57 INCHES FOR CURB OPENING CATCH BASIN WITH GRATING(S) AND DEBRIS SKIMMER (STANDARD PLAN 301).
3. ALL EXPOSED PARTS TO BE ASPHALT COATED. OR HOT DIP GALVANIZED PER ASTM A123, AFTER FABRICATION.



**SECTION A-A**



**ELEVATION**

DATE: 01/17/2007		NOT TO SCALE		CITY OF ELK GROVE - PUBLIC WORKS		APPROVED BY:	
REVISION	BY	APPROVED	DATE	<b>CENTER SUPPORT ASSEMBLY FOR MULTIPLE GRATES</b>		CITY ENGINEER	
						DRAWING NUMBER	
						SD - 16	