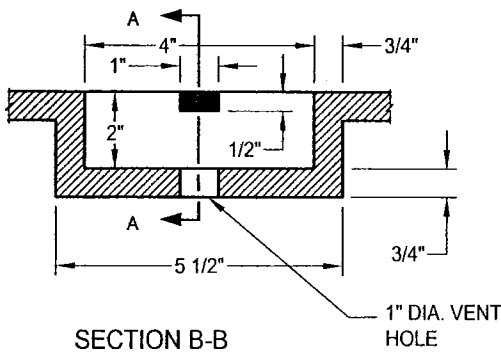
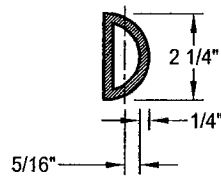


SECTION C-C

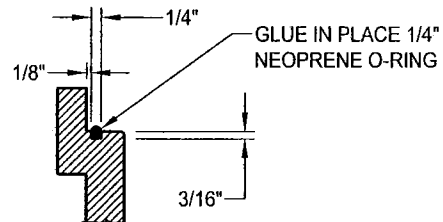


SECTION B-B

1" DIA. VENT HOLE

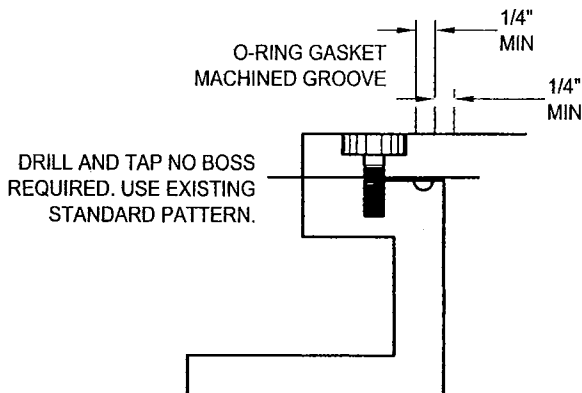


DETAIL B

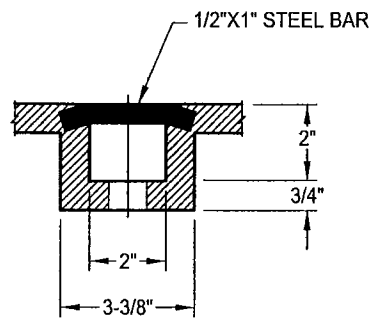


DETAIL A

GLUE IN PLACE 1/4" NEOPRENE O-RING



BOLT DOWN COVER DETAIL



SECTION A-A

| | | | |
|---------------------|----|--------------|------|
| DATE: 01/17/2007 | | NOT TO SCALE | |
| REVISION | BY | APPROVED | DATE |
| | | | |
| | | | |
| | | | |

CITY OF ELK GROVE - PUBLIC WORKS

APPROVED BY:

CITY ENGINEER

GREY CAST IRON
STANDARD 36" MANHOLE
FRAME & COVER

(PAGE 2 OF 2)



DRAWING NUMBER

SD - 10.2