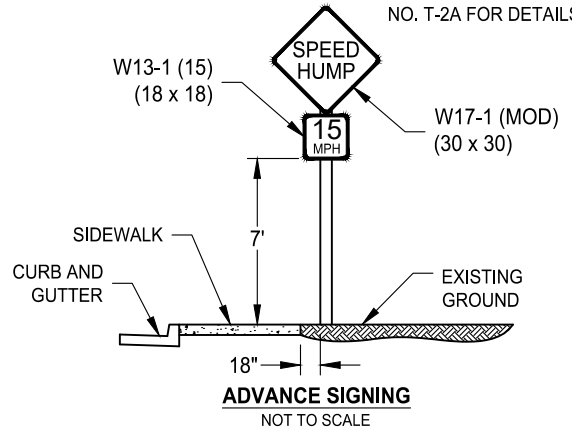
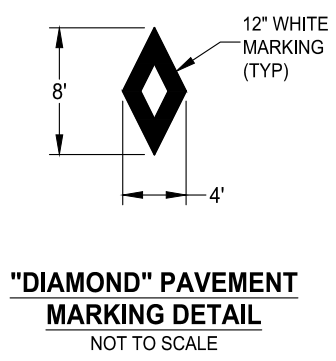
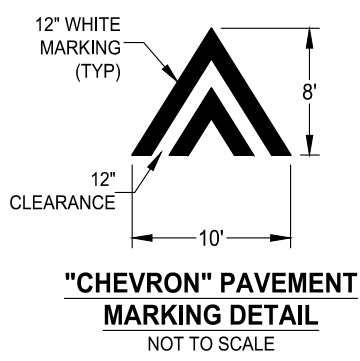


NOTE:

1. INSTALL GALVANIZED STEEL BOLLARD AS NEEDED PER ENGINEER'S DIRECTION OR AS SPECIFIED ON THE PLANS. SEE STANDARD DRAWING NO. T-2A FOR DETAILS.



DATE: 09/22/2017		NOT TO SCALE	
REVISION	BY	APPROVED	DATE

CITY OF ELK GROVE - PUBLIC WORKS

ASPHALT SPEED HUMP DETAIL (2)
(W = 36' - 44')

APPROVED BY:
Paul Mulock
CITY ENGINEER

10/24/2018
DATE

DRAWING NUMBER
T - 2D

