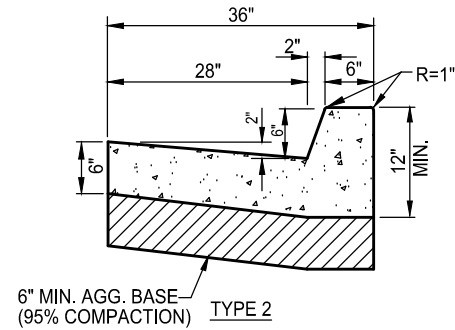
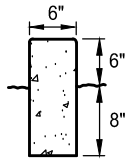


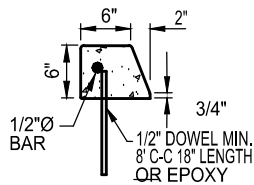
TYPE 1A & TYPICAL SIDEWALK



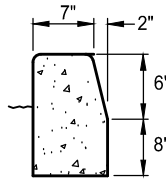
TYPE 2



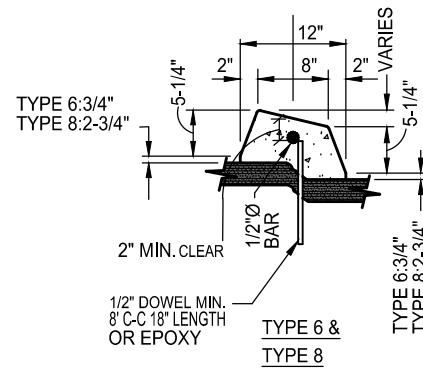
TYPE 3



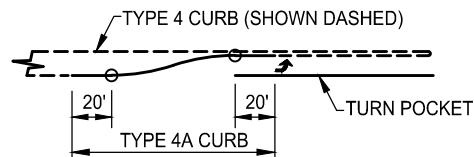
TYPE 4 & 4A
(4A REQUIRES BOTH
DOWELS AND EPOXY)



TYPE 5



TYPE 6 &
TYPE 8



PLAN FOR TYPICAL PLACEMENT OF TYPE 4A CURB

NOTES:
SEE SECTION 27-3.01 FOR REQUIREMENT FOR
EXPANSION JOINTS, WEAKENED PLANE JOINTS
AND SCORE MARKS.

1/2" RADIUS ON EXPOSED EDGES UNLESS
NOTED OTHERWISE.

SEE ST-28 FOR BUS STOP DETAIL

A 1/2-INCH CONCRETE BATTER SHALL BE PLACED
ON ALL CURB LIPS.

DATE: 09/22/2007		NOT TO SCALE	
REVISION	BY	APPROVED	DATE

CITY OF ELK GROVE - PUBLIC WORKS

TYPICAL CURB & GUTTER SECTIONS

APPROVED BY:

Robert M. M... ..

10/24/2018

CITY ENGINEER

DATE



DRAWING NUMBER

ST - 31