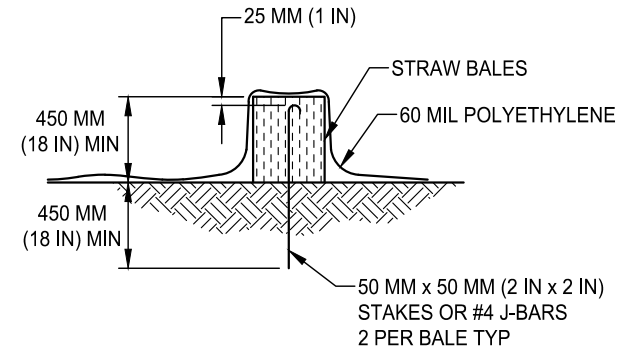
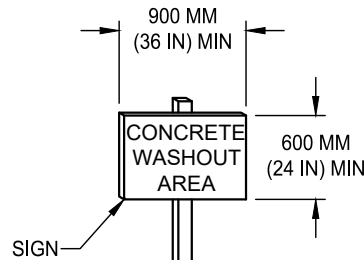
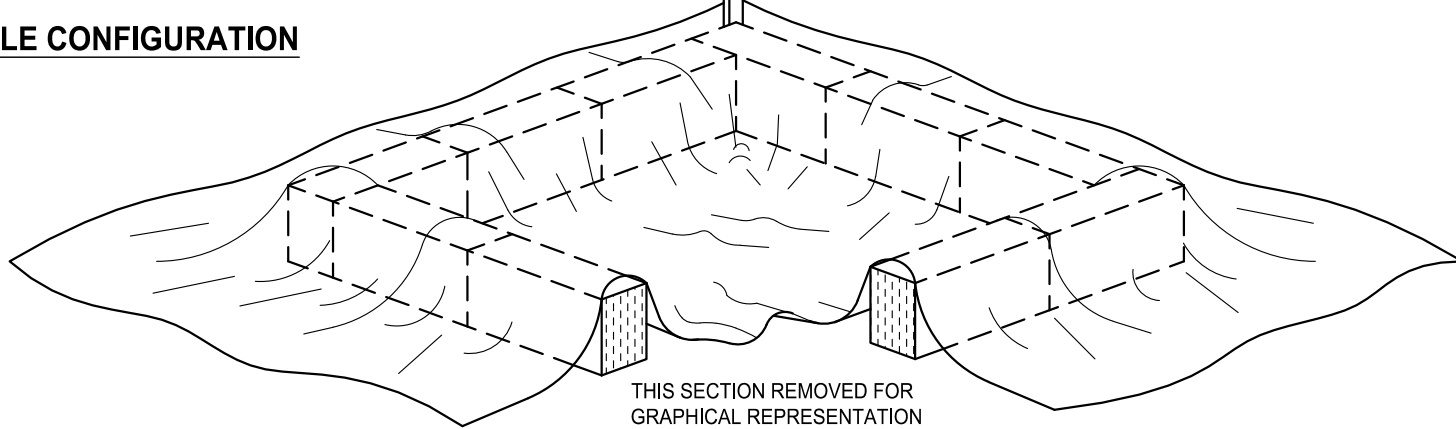


BALE CONFIGURATION



SECTION A-A



THIS SECTION REMOVED FOR GRAPHICAL REPRESENTATION ONLY. STRAW BALE PERIMETER SHALL BE CONTINUOUS.

NOTES:

1. FACE SIGN TOWARD NEAREST STREET OR ACCESS POINT.
2. CONCRETE WASHOUT SHALL BE LOCATED BEHIND THE CURB AND 15 M (50 FT) MINIMUM FROM DRAINAGE INLETS OR WATERCOURSES.

DATE: 09/22/2007		NOT TO SCALE	
REVISION	BY	APPROVED	DATE

CITY OF ELK GROVE - PUBLIC WORKS

CONCRETE WASHOUT

APPROVED BY:
Paul Muddoch
CITY ENGINEER 10/24/2018
DATE



DRAWING NUMBER
SQ - 6