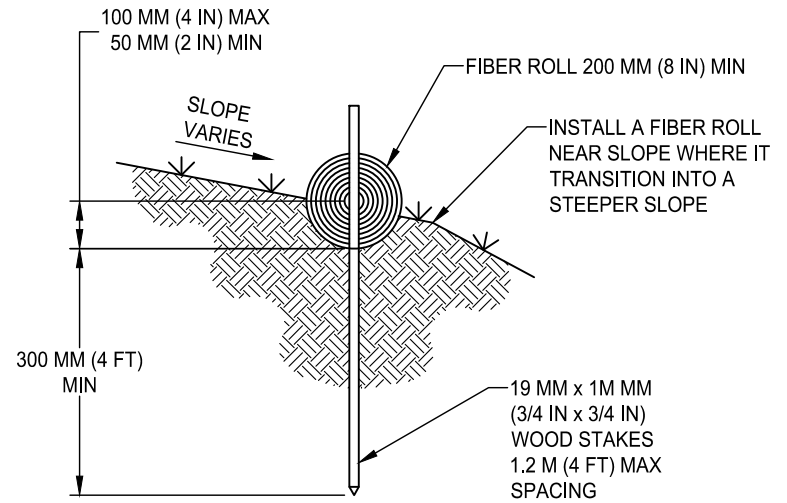


TYPICAL FIBER ROLL INSTALLATION



SECTION A-A

NOTES:

1. INSTALL FIBER ROLL IN A ROW ALONG A LEVEL CONTOUR.
2. AT ENDS OF A ROW TURN THE LAST TWO FET UP SLOPE SLIGHTLY.
3. FIBER ROLLS SHALL BE BUTTED TIGHTLY AT THE JOINTS.
4. DO NOT OVERLAP JOINTS.

DATE: 09/22/2007		NOT TO SCALE	
REVISION	BY	APPROVED	DATE

CITY OF ELK GROVE - PUBLIC WORKS

FIBER ROLLS

APPROVED BY:
Paul M. ...
CITY ENGINEER 10/24/2018
DATE



DRAWING NUMBER
SQ - 4