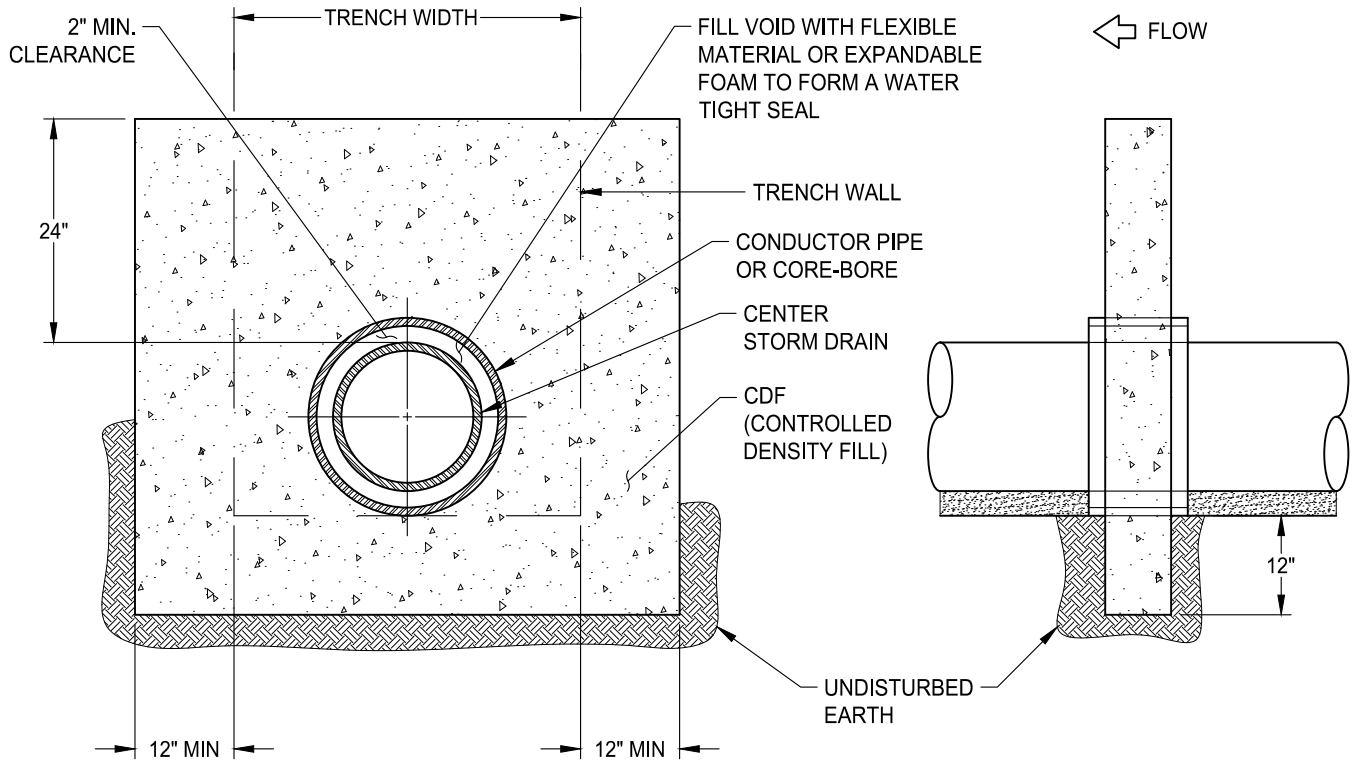


NOTES:

1. TOP OF DAM TO EXTEND INTO INTERMEDIATE BACKFILL 12" MINIMUM OR TOP OF GROUND WATER HGL.



DATE: 09/22/2017		NOT TO SCALE	
REVISION	BY	APPROVED	DATE

CITY OF ELK GROVE - PUBLIC WORKS

APPROVED BY:
Robert M. Muddoch
CITY ENGINEER 10/24/2018
DATE

TRENCH DAM DETAIL



DRAWING NUMBER

SD - 6.2