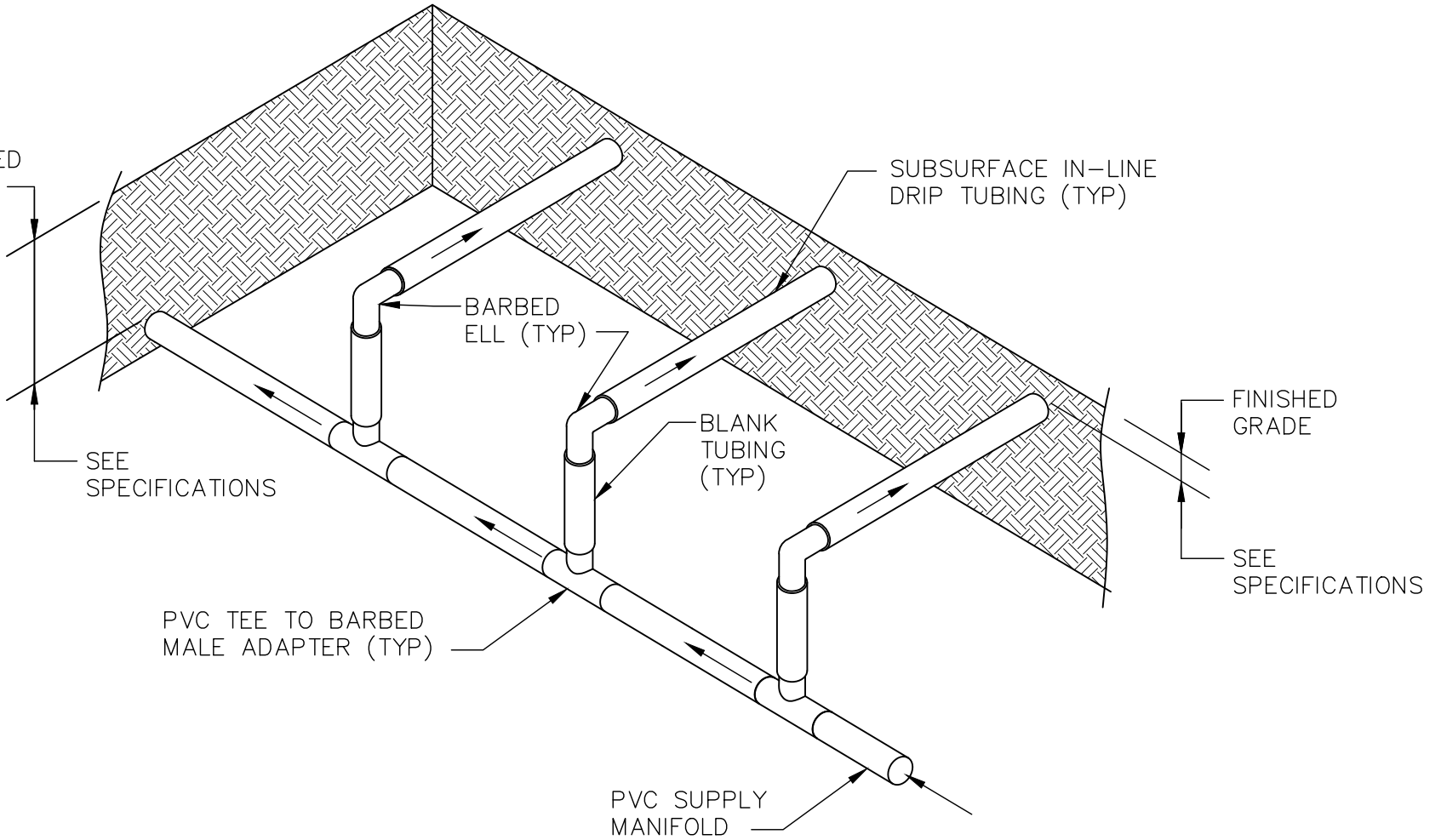


FINISHED GRADE



SEE SPECIFICATIONS

FINISHED GRADE

SEE SPECIFICATIONS

PVC TEE TO BARBED MALE ADAPTER (TYP)

PVC SUPPLY MANIFOLD

DATE: 09/22/2007		NOT TO SCALE	
REVISION	BY	APPROVED	DATE

CITY OF ELK GROVE - PUBLIC WORKS

**SUBSURFACE IN-LINE DRIP
IRRIGATION END-FEED
SUPPLY MANIFOLD**

APPROVED BY:

Paul Muddoch

CITY ENGINEER

10/24/2018

DATE



DRAWING NUMBER

L - 15