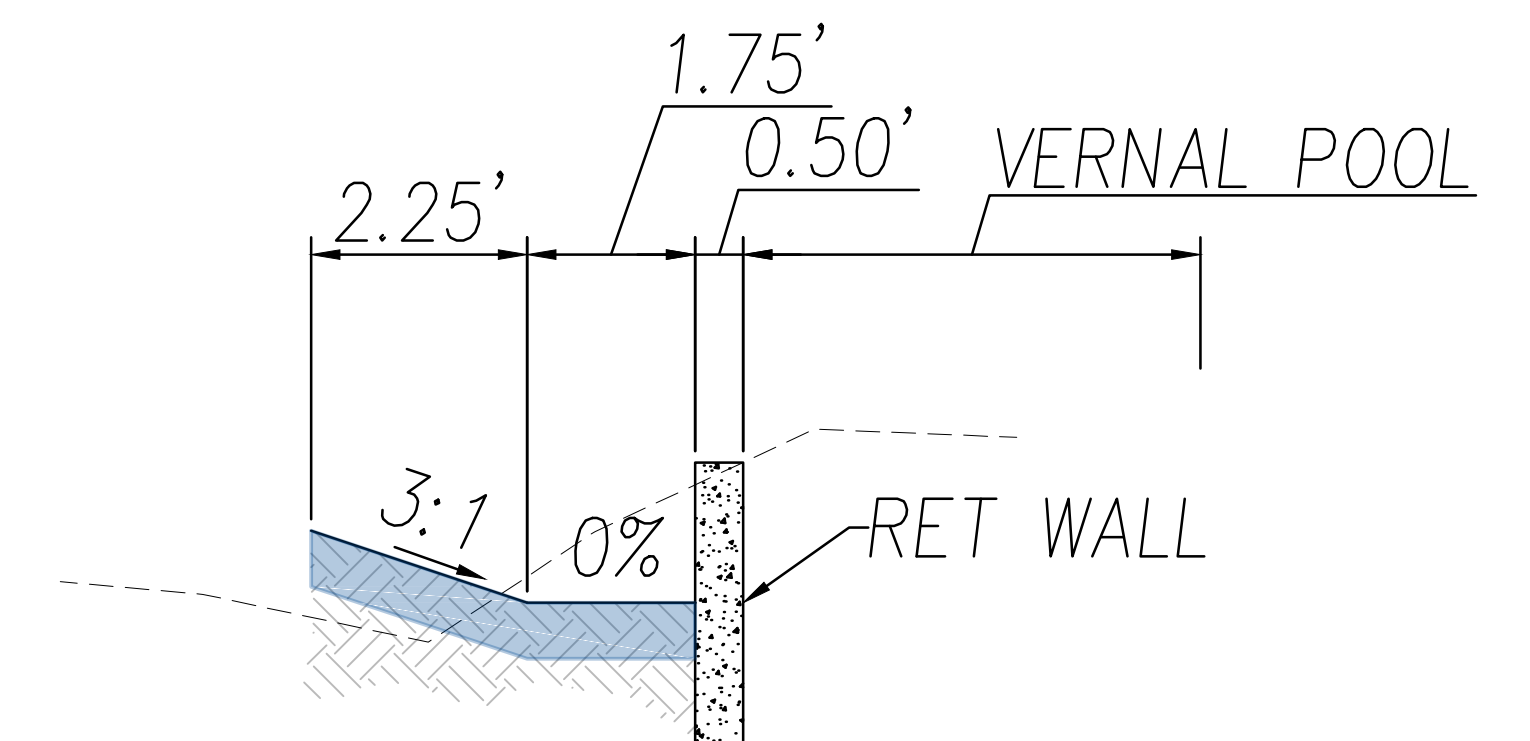
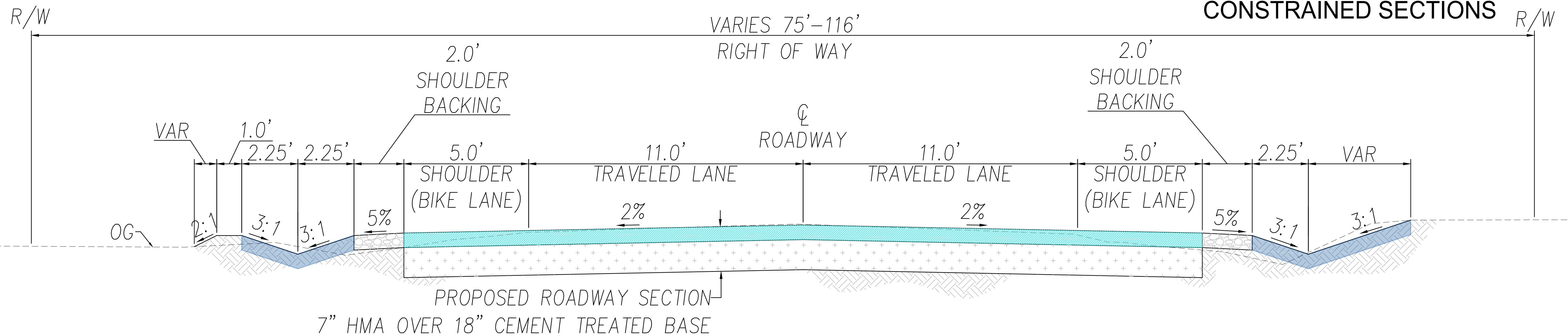


EXISTING WATERMAN TYPICAL SECTION



RETAINING WALL AT CONSTRAINED SECTIONS



PROPOSED WATERMAN TYPICAL SECTION