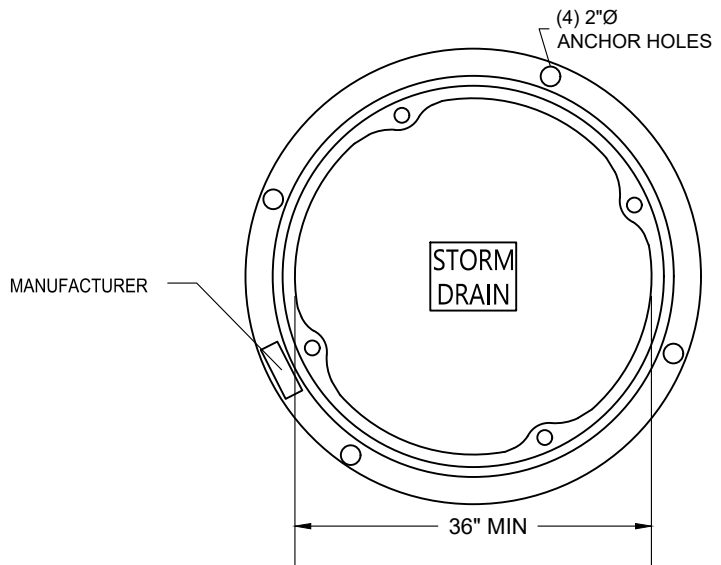


SET WEIGHT	
FRAME	310 LBS
COVER	290 LBS
TOTAL	600 LBS

NOTES:

1. ALL CASTINGS TO CONFORM TO ASTM A48, CLASS 35B.
2. FRAME AND COVER TO MEET H-20 LOAD SPECIFICATIONS.
3. MACHINED HORIZONTAL AND VERTICAL BEARING SURFACES NOT TO EXCEED 1/64" TOLERANCE.
4. FRAME AND COVER SHALL HAVE A COATING OF BLACK BITUMINOUS PAINT.
5. LOCKING COVER TYPE FRAME AND COVERS SHALL BE USED WHEN SPECIFIED IN CONTRACT DOCUMENTS.
6. H20 RATED SLOTTED GRATE OR GRATE TYPE MANHOLE COVER MAY BE SUBSTITUTED FOR COVER WHEN SPECIFIED IN CONTRACT DOCUMENTS OR UPON APPROVAL OF DIRECTOR.
7. COVER SHALL BE "STORM DRAIN" STAMPED.



DATE: 09/22/2017		NOT TO SCALE	
REVISION	BY	APPROVED	DATE

CITY OF ELK GROVE - PUBLIC WORKS

**GREY CAST IRON
STANDARD 36" MANHOLE
FRAME & COVER (PG 1 OF 2)**

APPROVED BY:

Robert M. Mueloch
CITY ENGINEER 10/24/2018
DATE



DRAWING NUMBER

SD - 10.1