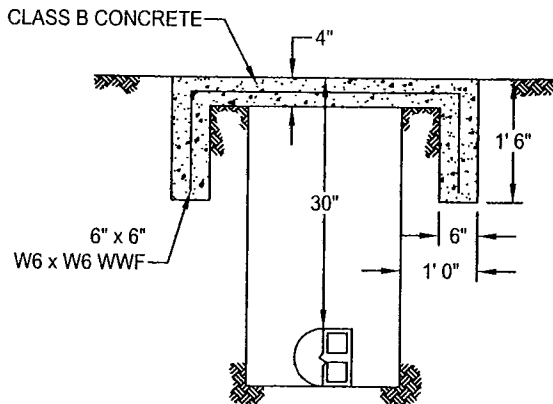


**SECTION A-A**



**SECTION B-B**

**NOTES:**

1. ALL UTILITY CROSSINGS OF EXISTING STREAMS SHALL BE AT LEAST 30" BELOW EXISTING CHANNEL SIDES AND BOTTOMS. DEEPER PLACEMENT MAY BE REQUIRED IF FUTURE CHANNEL IMPROVEMENTS ARE ANTICIPATED.
2. THE CUT SHALL BE SEALED AS SHOWN WITH GROUTED COBBLES OR CLASS B CONCRETE TO A WIDTH OF 1 FOOT EACH SIDE OF THE UTILITY TRENCH. ALL NATURAL STREAMS, AS SHOWN ON THE NATURAL STREAMS PLAN, SHALL UTILIZED GROUTED COBBLES.
3. CONSTRUCTION IS TO CONFORM TO SECTION 44 OF THE CITY OF ELK GROVE CONSTRUCTION SPECIFICATIONS WITH CUT OFF WALLS CONFORMING TO STANDARD DRAWING SD-30.

DATE: 01/21/2007		NOT TO SCALE		CITY OF ELK GROVE - PUBLIC WORKS		APPROVED BY:  _____ CITY ENGINEER	
REVISION	BY	APPROVED	DATE	<b>UTILITY STREAM CROSSING</b>		DRAWING NUMBER <b>SD - 31</b>	