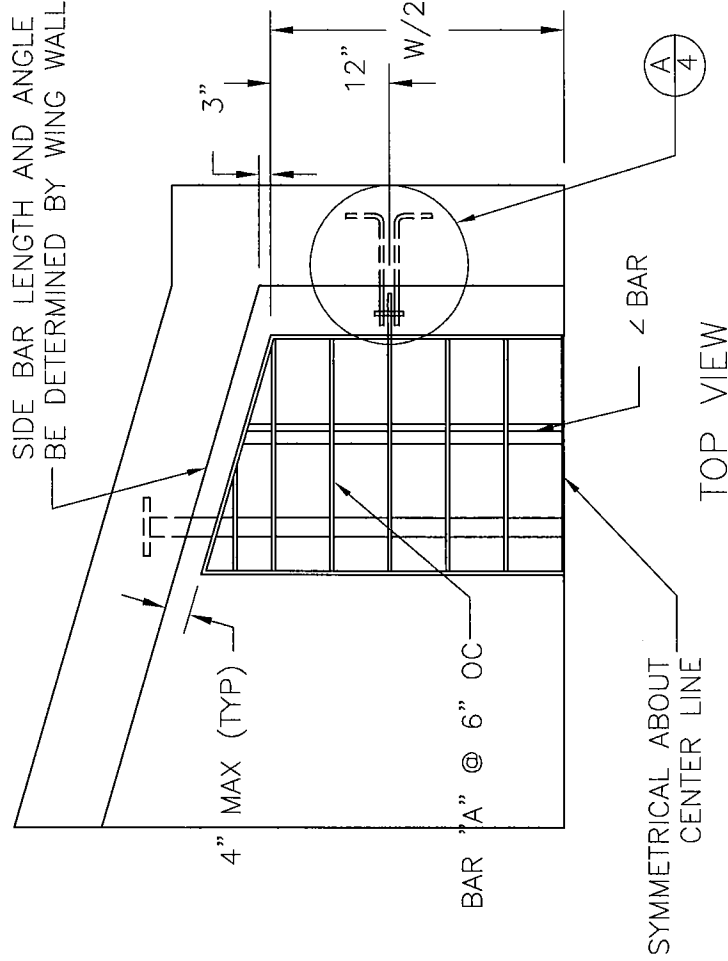


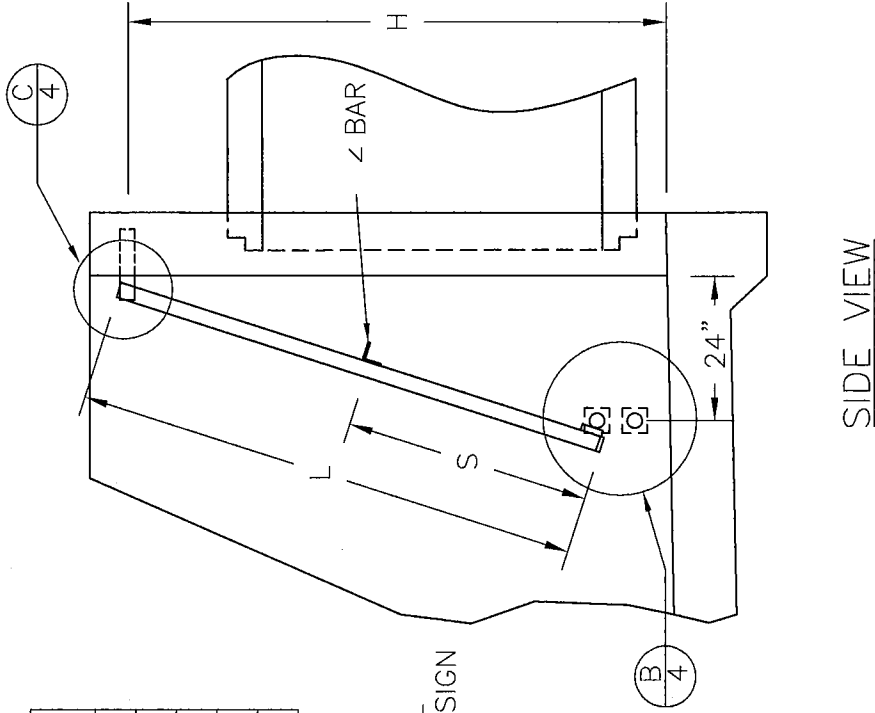
PIPE DIA (IN)	PIPE OD (IN)	QUANTITY* BAR "A"	BAR "A" SIZE (IN)	H (IN)	W (IN)	L (IN)	S (IN)
24	30	11	3/8x2 1/2	46	48	40	18
27	33.5	11	3/8x2 1/2	50	48	42	19
30	37	11	3/8x2 1/2	53	48	46	21
33	40.5	11	3/8x2 1/2	57	48	52	24
36	44	13	3/8x2 1/2	60	60	52	24

*INCLUDES OUTSIDE FRAME

SIDE BAR LENGTH AND ANGLE WILL BE DETERMINED BY WING WALL DESIGN



TOP VIEW



SIDE VIEW

DATE:	01/17/2007	NOT TO SCALE
REVISION	BY	APPROVED
		DATE

CITY OF ELK GROVE - PUBLIC WORKS

TRASH RACK
24"-36" PIPE
(SHEET 1 OF 4)



APPROVED BY: _____
CITY ENGINEER
DRAWING NUMBER
SD - 28.1