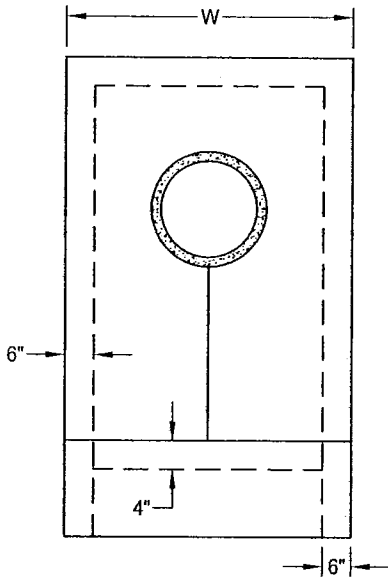
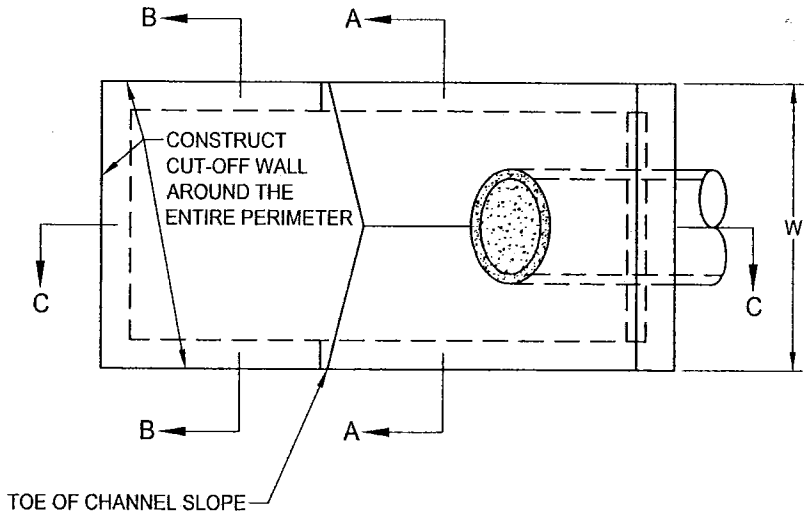


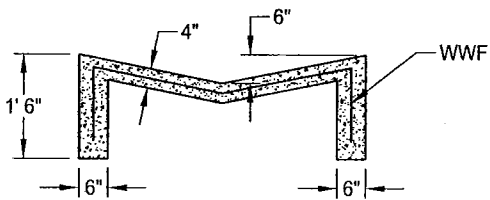
W = 6' 0" MINIMUM
W = 2 x PIPE DIA (3'+)



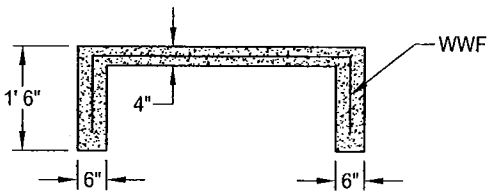
FRONT VIEW



TOP VIEW

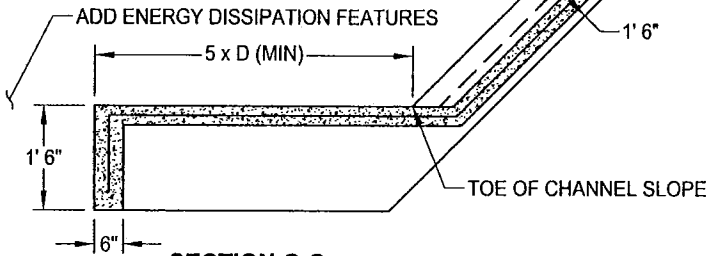
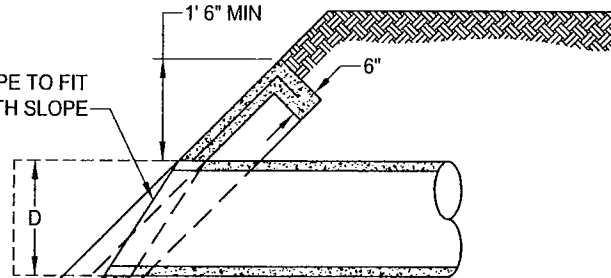


SECTION A-A



SECTION B-B

MITER CUT PIPE TO FIT
FLUSH WITH SLOPE



SECTION C-C

NOTES:

1. USE CLASS "B" CONCRETE.
2. 6" x 6" - W6 x W6 WWF THROUGHOUT CONCRETE.
3. ADD ENERGY DISSIPATION FEATURES SUCH AS COBBLES, RIP-RAPS, OR MOLDED CONCRETE AT END OF APRON.

DATE: 01/20/2007		NOT TO SCALE	
REVISION	BY	APPROVED	DATE

CITY OF ELK GROVE - PUBLIC WORKS

APPROVED BY:

CITY ENGINEER

**OUTLET PIPE HEADWALL AND
APRON**



DRAWING NUMBER

SD - 26