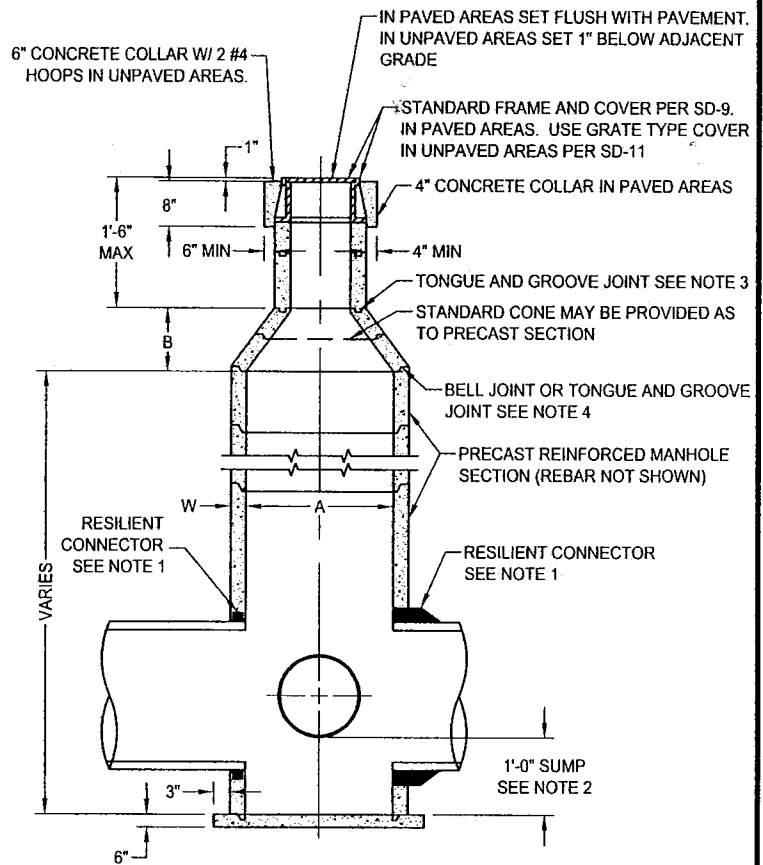


TABLE OF MINIMUM DIMENSIONS

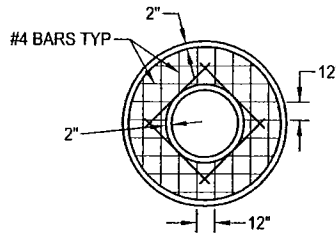
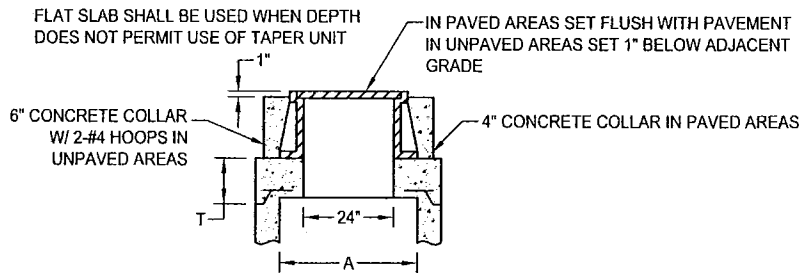
M.H.	A	B	T*	W
48"	48"	18"	8"	4'
60"	60"	28"	9"	6'
72"	72"	SEE NOTE 8	10"	7'

NOTES:

- ON ALL PIPES UP TO 30" I.D. USE FLEXIBLE COMPRESSION GASKET OR BOOT CONNECTOR CONFORMING TO ASTM C-923. CONNECTION SHALL BE WATER AND SOIL TIGHT. FOR PIPES GREATER THAN 30" I.D., BASE MAY BE CAST-IN-PLACE AND A WATER STOP CONFORMING TO ASTM C-923 SHALL BE USED.
- SUMP SHALL BE 1'-0" DEEP, MEASURED FROM INVERT OF OUTFALL PIPE. SUMP NOT REQUIRED IF OUTFALL PIPE IS 24" I.D. OR LARGER.
- RISER SECTIONS, CONES, AND ADJUSTING RINGS SHALL CONFORM TO ASTM C-478.
- ALL JOINTS SHALL BE MADE WITH PREFORMED PLASTIC JOINT SEALING COMPOUND. FOLLOWING INSTALLATION GROUT ALL INTERIOR AND EXTERIOR JOINTS.
- CONCENTRIC COMPONENTS SHALL BE USED UNLESS OTHERWISE SPECIFIED ON THE PLANS.
- PRECAST MANHOLES SHALL BE SIZED TO PROVIDE THE FOLLOWING: THE ANNULAR SPACE ON THE INSIDE OF THE MANHOLE BARREL BETWEEN CORED PIPE CONNECTION HOLES SHALL BE A MINIMUM OF 10 INCHES, IF THE CONNECTION HOLE IS CAST MONOLITHICALLY WITH THE MANHOLE BARREL THE MEASUREMENT SHALL BE TAKEN FORM THE FINISHED CONCRETE CONNECTION.
- SEE SECTION 39, CONSTRUCTION SPECIFICATIONS, "MANHOLES"
- CONE FOR MANHOLES GREATER THAN 60" DIAMETER SHALL BE INDIVIDUALLY DESIGNED.



PROFILE



FLAT SLAB TOP

DATE: 01/17/2007	NOT TO SCALE	CITY OF ELK GROVE - PUBLIC WORKS	APPROVED BY: CITY ENGINEER
REVISION	BY	STANDARD PRECAST CONCRETE DRAINAGE MANHOLE	DRAWING NUMBER SD - 7