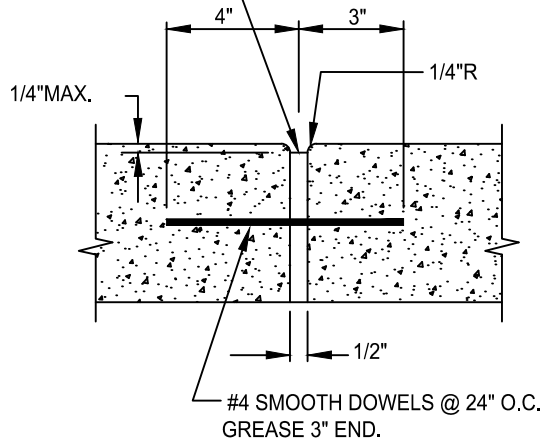
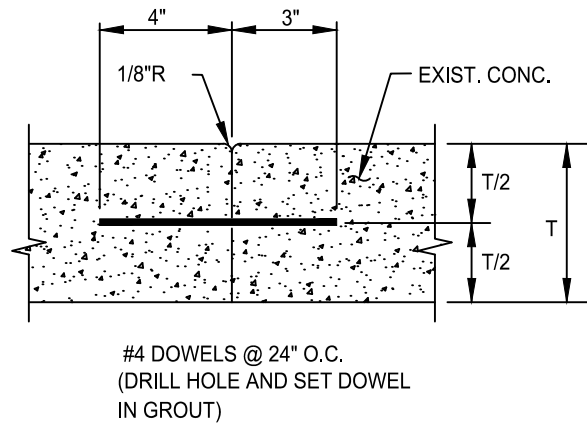


EXPANSION JOINT
FILLER MATERIAL
(MATCH FULL
CONCRETE SECTION)

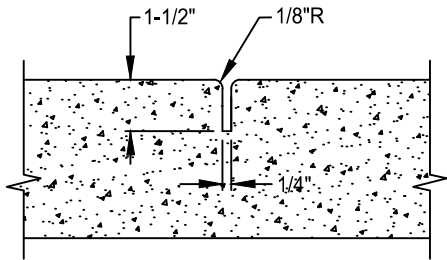


EXPANSION JOINT

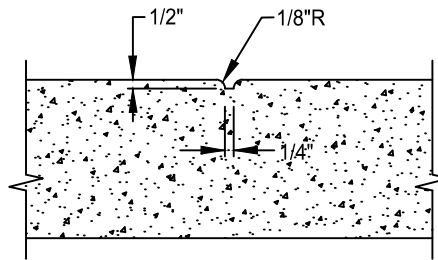


SIDEWALK CONTACT JOINT

(USE WHERE NEW CONSTRUCTION OF S/W AND
OR CURB & GUTTER ABUTS EXISTING IMPROVEMENTS.)



WEAKENED PLANE JOINT



SCORE MARK

NOTE:
JOINT SPACING PER SECTION 27-3.01

DATE: 09/22/2017		NOT TO SCALE	
REVISION	BY	APPROVED	DATE

CITY OF ELK GROVE - PUBLIC WORKS

**STANDARD CONCRETE
JOINT DETAILS**

APPROVED BY:
Robert Muddoch
CITY ENGINEER 10/24/2018
DATE



DRAWING NUMBER

ST - 39