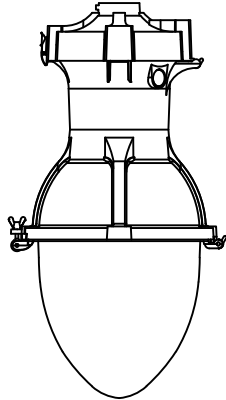


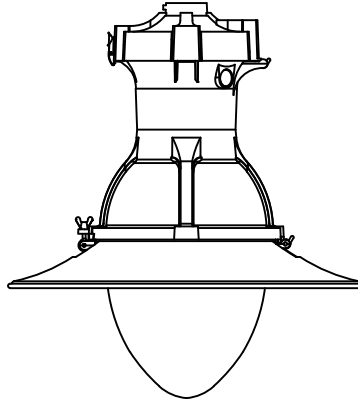
TEARDROP GLASS

ASYMMETRIC

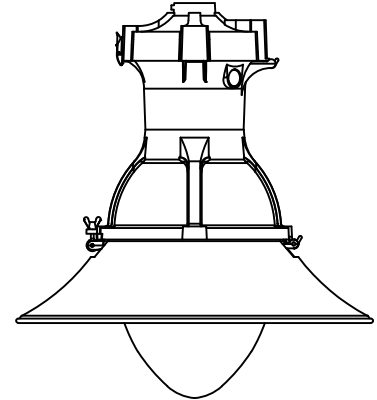
STANDARD



SHALLOW SKIRT*

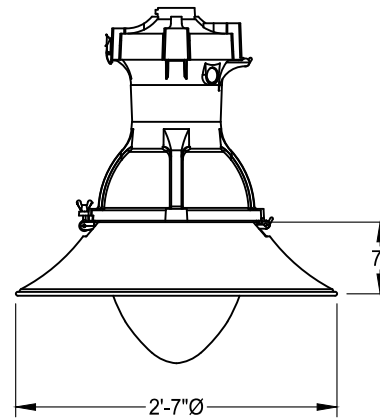
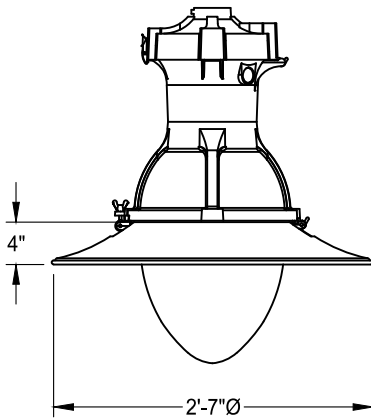


DEEP SKIRT*



*OPTIONAL UPON WRITTEN APPROVAL OF PLANNING DIRECTOR AND CITY ENGINEER

SKIRT DIMENSIONS (OPTIONAL)



DATE: 09/22/2017		NOT TO SCALE	
REVISION	BY	APPROVED	DATE

CITY OF ELK GROVE - PUBLIC WORKS

**ZONE 2 LUMINAIRE OPTIONS
(SERIES 'A')**

APPROVED BY:
Paul Muddock
CITY ENGINEER

10/24/2018
DATE

DRAWING NUMBER
SL - 33

