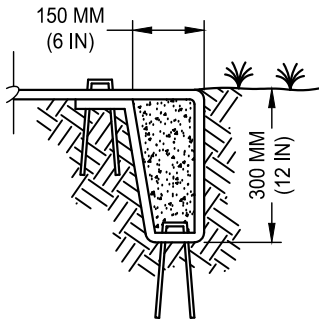
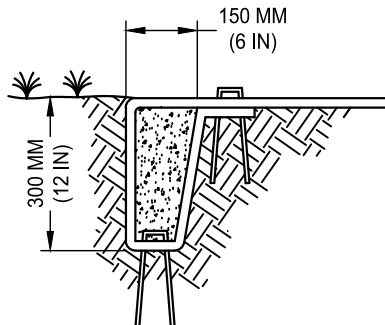


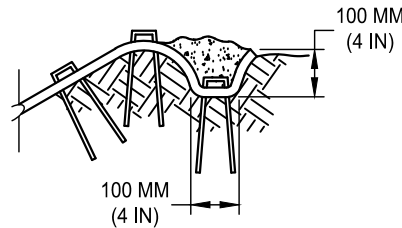
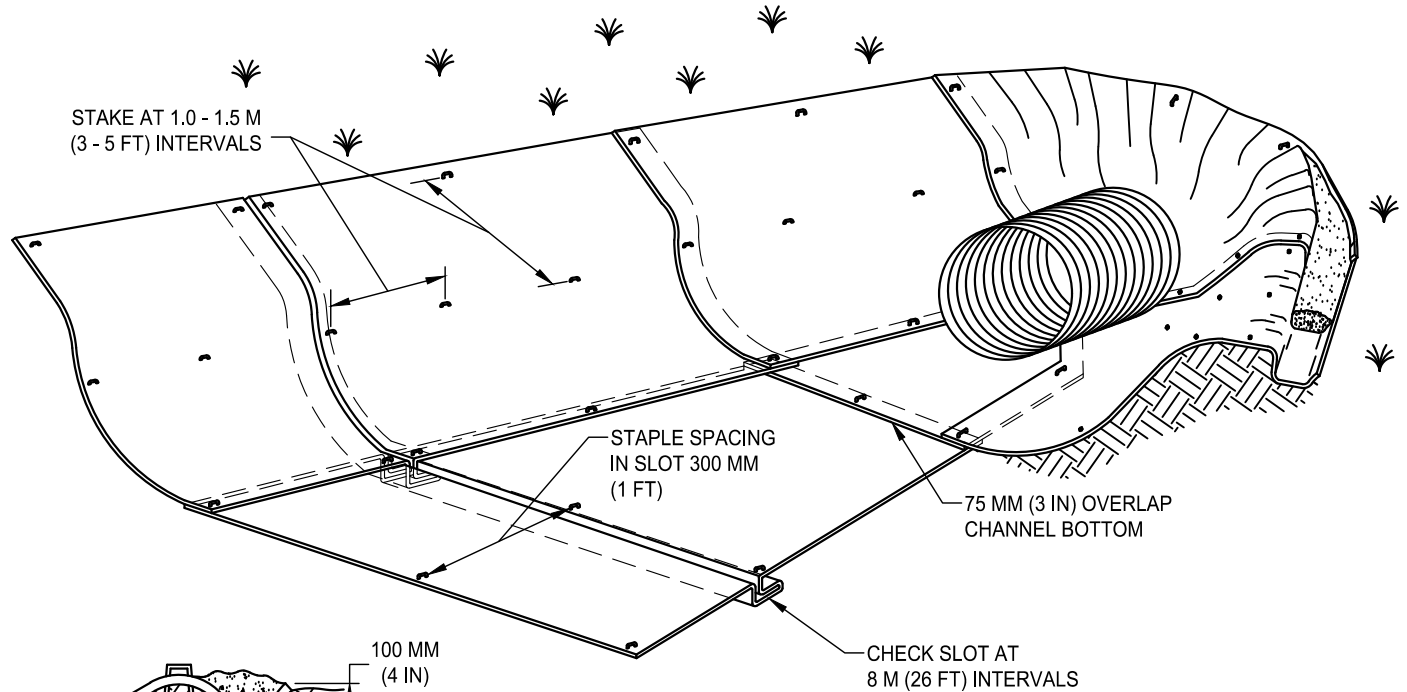
CHECK SLOT



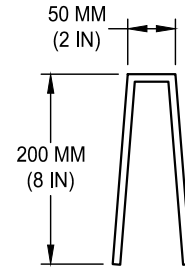
INITIAL CHANNEL ANCHOR TRENCH



TERMINAL SLOPE AND CHANNEL ANCHOR TRENCH



LONGITUDINAL ANCHOR TRENCH



WIRE STAPLES

TYPICAL CHANNEL SOIL STABILIZATION

NOTE:

1. CONSTRUCTION OF CHECK SLOTS, STAKING, STAPLING LAYOUT, AND MAT INSTALLATION ALL TO BE DONE PER MANUFACTURER'S SPECIFICATIONS.

DATE: 09/22/2007		NOT TO SCALE	
REVISION	BY	APPROVED	DATE

CITY OF ELK GROVE - PUBLIC WORKS

EROSION CONTROL BLANKETS / MATS CHANNEL INSTALLATION

APPROVED BY:
Paul Muddoch
CITY ENGINEER
10/24/2018
DATE



DRAWING NUMBER
SQ - 9A