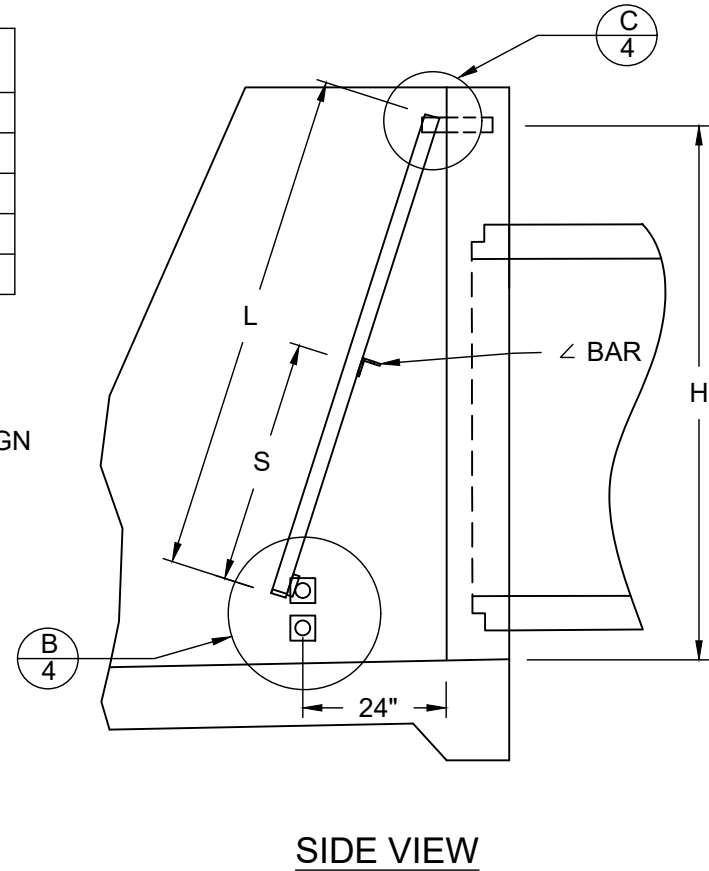
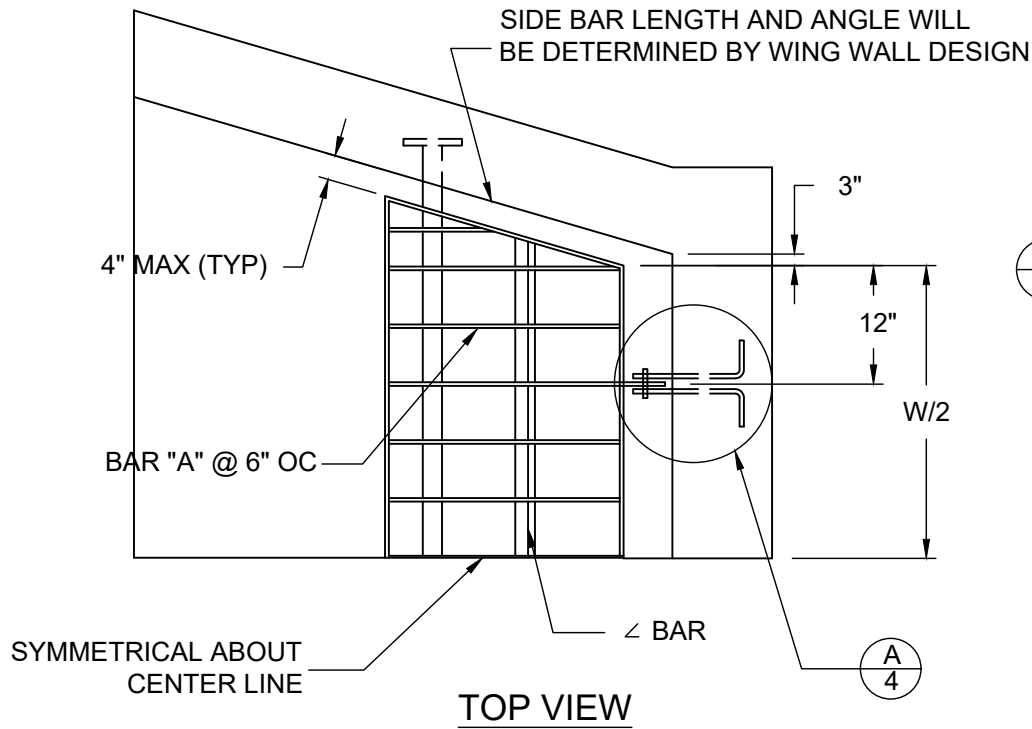


PIPE DIA. (IN)	PIPE OD (IN)	QUANTITY* BAR "A"	BAR "A" SIZE (IN)	H (IN)	W (IN)	L (IN)	S (IN)
24	30	11	3/8x2 1/2	46	48	40	18
27	33.5	11	3/8x2 1/2	50	48	42	19
30	37	11	3/8x2 1/2	53	48	46	21
33	40.5	11	3/8x2 1/2	57	48	52	24
36	44	13	3/8x2 1/2	60	60	52	24

\*INCLUDES OUTSIDE FRAME



DATE: 09/22/2007		NOT TO SCALE	
REVISION	BY	APPROVED	DATE

CITY OF ELK GROVE - PUBLIC WORKS

**TRASH RACK**  
**24"-36" PIPE**  
**(SHEET 1 OF 4)**

APPROVED BY:

*Paul Muddoch*

CITY ENGINEER

10/24/2018

DATE



DRAWING NUMBER

**SD - 28.1**