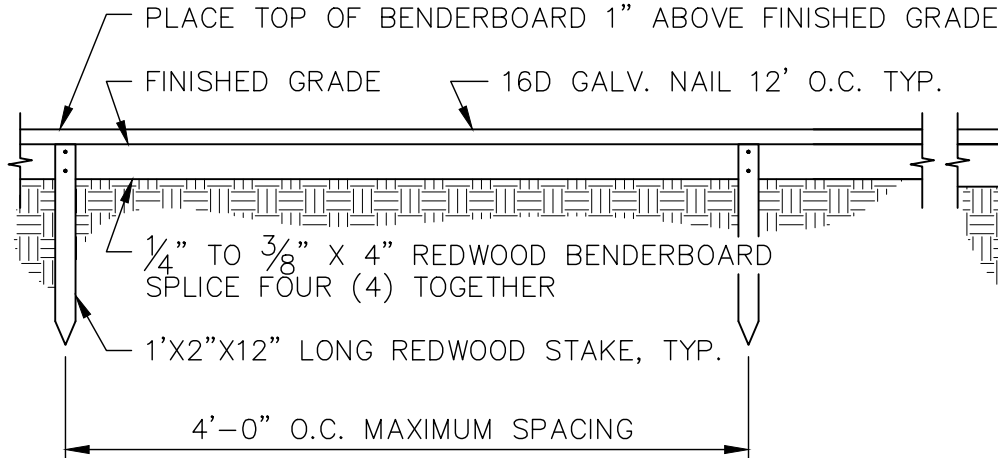
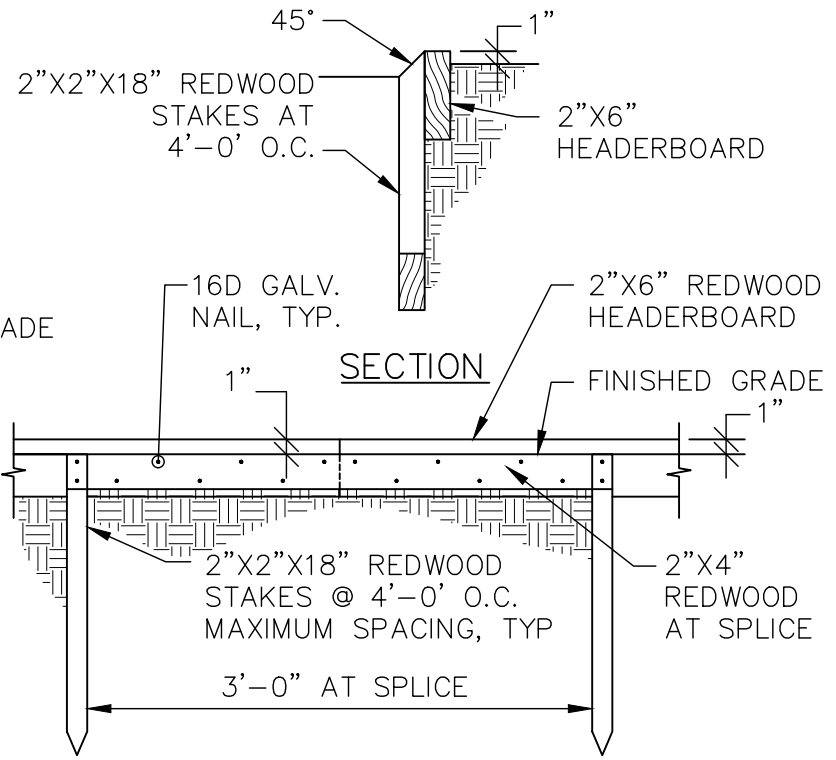


BENDERBOARD PLAN VIEW



ELEVATION VIEW
1/4" TO 3/8" X 4" BENDERBOARD



SPLICE DETAIL
2" X 6" HEADERBOARD

NOTES:

1. INSTALL ALL STAKES AND SPLICES ON PLANTING SIDE OF HEADERBOARD.
2. ALL NAILS SHALL BE GALVANIZED.
3. ALL REDWOOD SHALL BE ROUGH CONSTRUCTION COMMON GRADE IN ACCORDANCE TO CALIFORNIA REDWOOD ASSOCIATION GRADING RULES. DRIVE STAKES TO RESISTANCE AND CUT TOP AT 45 DEGREE ANGLE.

DATE: 09/22/2007		NOT TO SCALE		CITY OF ELK GROVE - PUBLIC WORKS		APPROVED BY: <i>Paul Mudoch</i> CITY ENGINEER	
REVISION	BY	APPROVED	DATE	REDWOOD HEADERBOARD		10/24/2018	DATE
						DRAWING NUMBER	
						L - 27	