

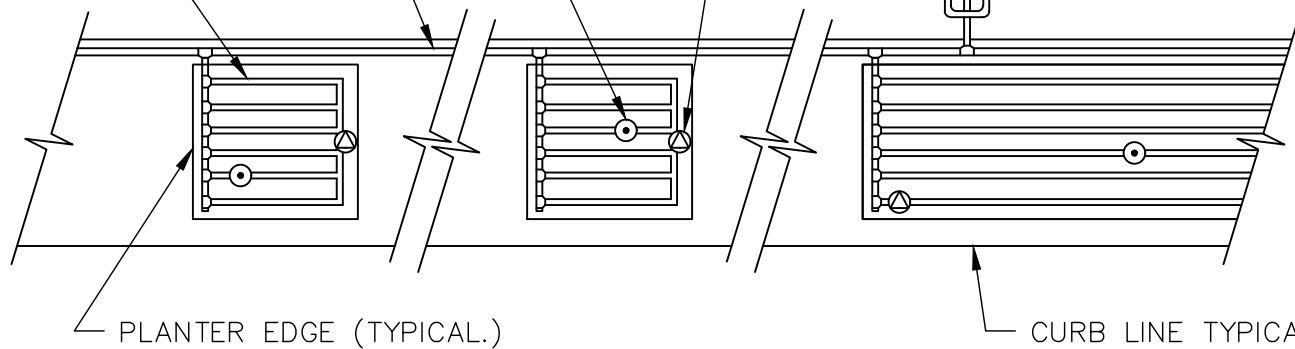
AIR/VACUUM RELIEF VALVE.  
PLUMBED TO TUBING AT HIGH  
POINT OF PLANTER (TYPICAL).

CLASS 200 PVC LATERAL LINE.  
SIZE PER PLAN (TYPICAL). INSTALLED  
AT 12" BELOW FINISHED GRADE.

SUBSURFACE IN-LINE DRIP TUBING  
INSTALLED AT 4" BELOW FINISHED  
GRADE

LINE FLUSHING VALVE.  
PLUMBED TO TUBING (TYPICAL).

REMOTE CONTROL VALVE  
ASSEMBLY. PLACE IN  
PLANTER WHENEVER  
POSSIBLE.



NOTE: ALL DRIP TUBING FITTINGS SHALL BE  
BARBED.

DATE: 09/22/2007		NOT TO SCALE	
REVISION	BY	APPROVED	DATE

CITY OF ELK GROVE - PUBLIC WORKS

**SUBSURFACE IN-LINE  
DRIP IRRIGATION LAYOUT**

APPROVED BY:

*Paul M. Muddoch*

CITY ENGINEER

10/24/2018

DATE

DRAWING NUMBER



**L - 13**