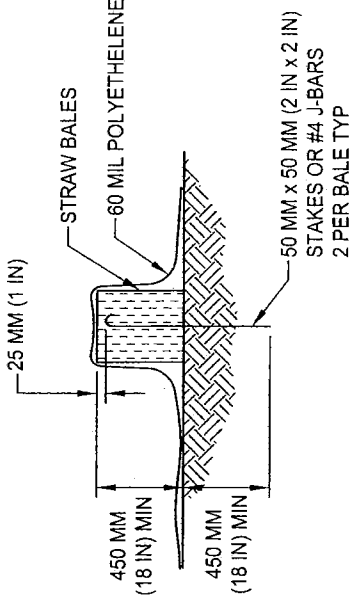
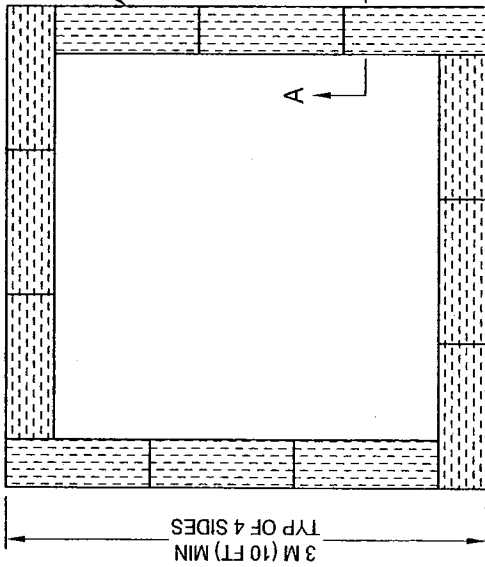
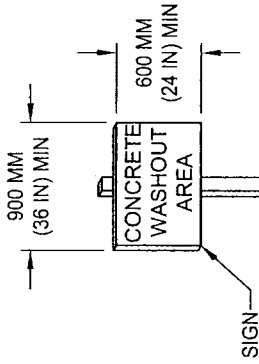


36 CM (14 IN) MIN

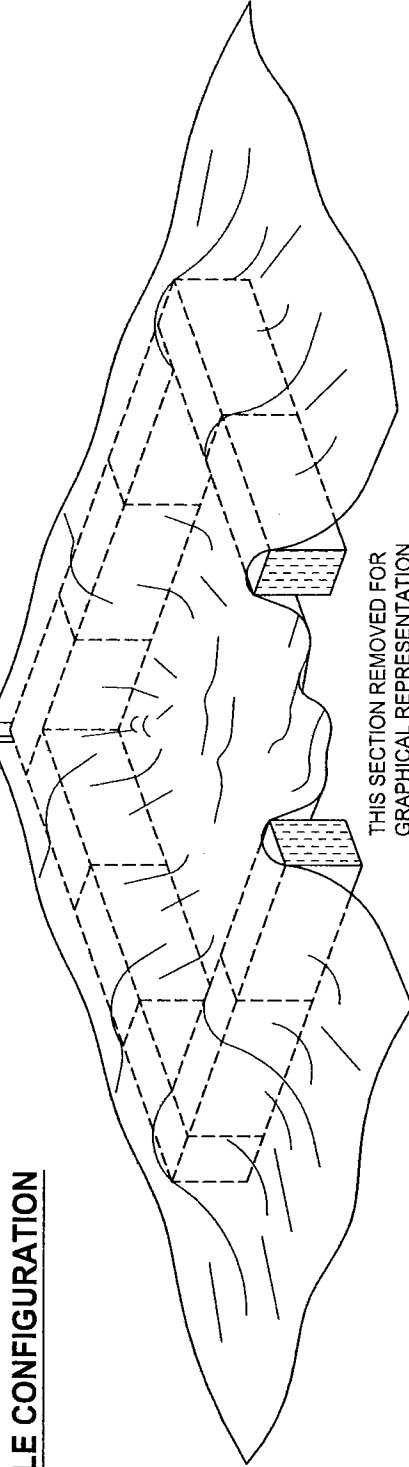


**SECTION A-A**

3 M (10 FT) MIN  
TYP OF 4 SIDES



**BALE CONFIGURATION**



THIS SECTION REMOVED FOR GRAPHICAL REPRESENTATION ONLY. STRAW BALE PERIMETER SHALL BE CONTINUOUS.

**NOTES:**

1. FACE SIGN TOWARD NEAREST STREET OR ACCESS POINT.
2. CONCRETE WASHOUT SHALL BE LOCATED BEHIND THE CURB AND 15 M (50 FT) MINIMUM FROM DRAINAGE INLETS OR WATERCOURSES.

DATE:	NOT TO SCALE
01/16/2007	
REVISION BY	APPROVED
	DATE

**CITY OF ELK GROVE - PUBLIC WORKS**

**CONCRETE WASHOUT**

APPROVED BY: \_\_\_\_\_  
CITY ENGINEER

DRAWING NUMBER  
**SQ - 6**

