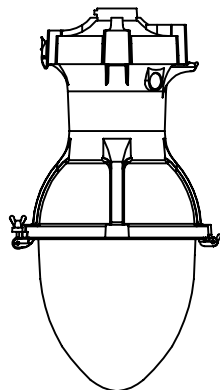


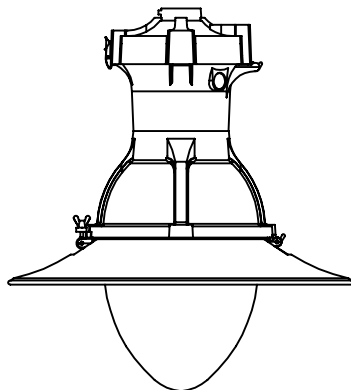
TEARDROP GLASS

ASYMMETRIC

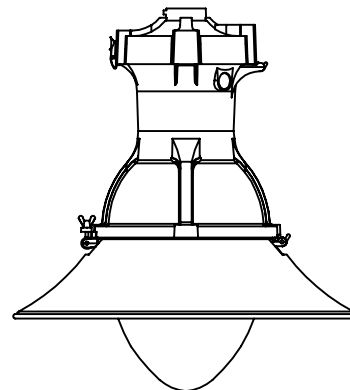
STANDARD



SHALLOW SKIRT*

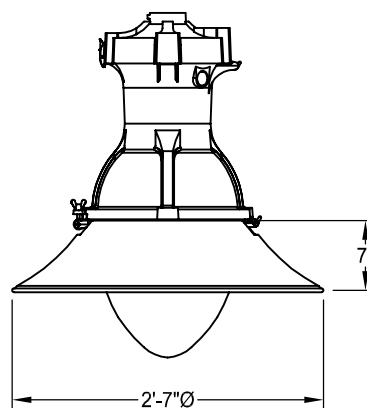
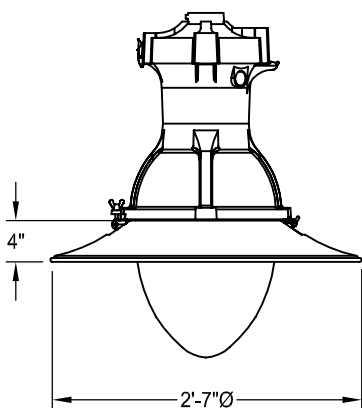


DEEP SKIRT*



*OPTIONAL UPON WRITTEN APPROVAL OF PLANNING DIRECTOR AND CITY ENGINEER

SKIRT DIMENSIONS (OPTIONAL)



DATE: 09/04/2007		NOT TO SCALE	
REVISION	BY	APPROVED	DATE

CITY OF ELK GROVE - PUBLIC WORKS

APPROVED BY:

CITY ENGINEER

ZONE 2 LUMINAIRE OPTIONS
(SERIES 'A')

DRAWING NUMBER



SL - 33