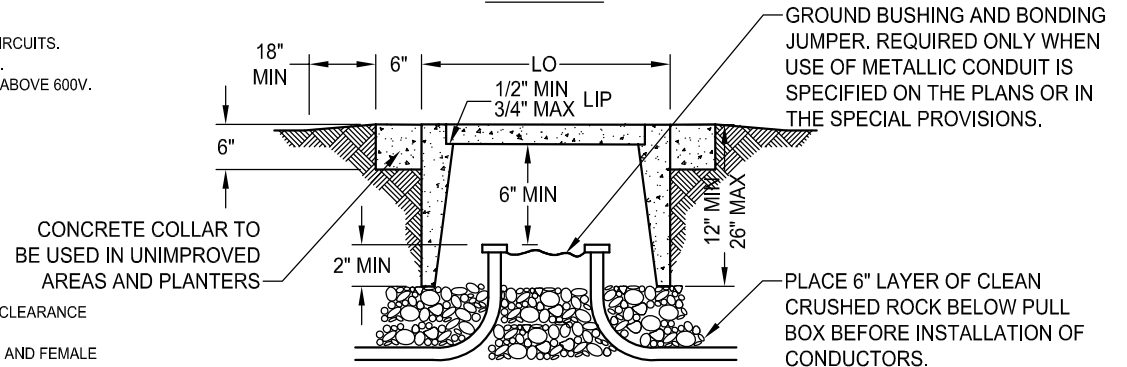
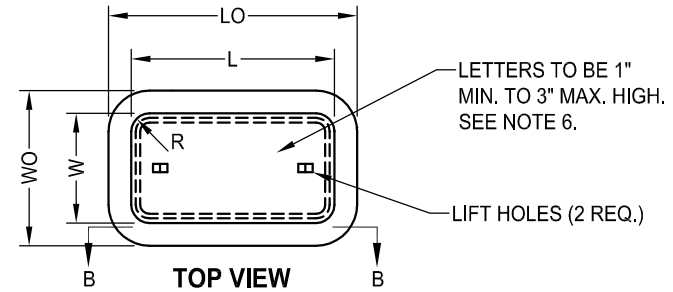


PULL BOX No.	REINFORCED CONCRETE BOX				COMPOSITE BOX		REINFORCED CONC. OR COMPOSITE COVER				
	MIN.** THICKNESS	MIN DEPTH BOX AND EXTENSION	LO	WO	MIN.** THICKNESS	MIN DEPTH BOX AND EXTENSION	L***	W***	R	EDGE THICKNESS	EDGE TAPER
3-1/2	1"	NO EXTENSION	20"	14"	5/16"	NO EXTENSION	15-3/8"	10-1/8"	1-1/8"	1-3/4"	1/8"
5	1"	22"	28"	18"	5/16"	20"	23-1/4"	13-3/4"	1-1/4"	2"	1/8"
5A	1"	22"	25-1/4"	15-3/4"	5/16"	20"	20-5/8"	10-1/2"	1-1/4"	2"	1/8"
6	1-1/2"	24"	36"	23"	3/8"	20"	30-5/8"	17-5/8"	1-1/4"	2"	1/8"

** EXCLUDING CONDUIT WEB *** TOP DIMENSION

NOTES:

- IN UNIMPROVED AREAS, THE TOP OF PULL BOXES SHALL BE PLACED 0.10 FOOT ABOVE THE SURROUNDING GRADE OR, WHEN ADJACENT TO A CURB, FLUSH WITH THE TOP OF THE CURB. THE SURROUNDING GRADE SHALL BE RAMPED UP TO MATCH THE TOP OF THE CONCRETE COLLAR. UNLESS OTHERWISE NOTED, PULL BOXES SHOWN IN THE VICINITY OF SIDEWALK SHALL BE PLACED ADJACENT TO THE BACK OF SIDEWALK, AND PULL BOXES SHOWN ADJACENT TO POLES SHALL BE PLACED ON THE SIDE OF THE FOUNDATION FACING AWAY FROM TRAFFIC.
- PLACEMENT OF PULL BOXES IN AREAS SUBJECT TO VEHICULAR TRAFFIC LOADS (INCLUDES TRAFFIC LANES, BIKE LANES, SHOULDERS, AND DRIVEWAYS) SHALL BE AVOIDED WHENEVER POSSIBLE. IF UNAVOIDABLE, THEN A TRAFFIC RATED PULL BOX WITH STEEL TRAFFIC COVER SHALL BE USED. SEE STANDARD DRAWING SL-5.
- PULL BOXES SHALL NOT BE PLACED WITHIN THE BOUNDARIES OF SIDEWALKS AND SIDEWALK RAMPS.
- PULL BOXES SHOULD NOT BE PLACED WITHIN PLANTER AREAS WHENEVER POSSIBLE.
- PULL BOX COVERS SHALL BE MARKED AS FOLLOWS:
 - "TRAFFIC SIGNAL" TRAFFIC SIGNAL CIRCUITS WITH OR WITHOUT STREET LIGHTING CIRCUITS.
 - "STREET LIGHTING" STREET LIGHTING CIRCUITS WHERE NO VOLTAGE IS ABOVE 600V.
 - "STREET LIGHTING-HIGH VOLTAGE" STREET LIGHTING CIRCUITS WHERE VOLTAGE IS ABOVE 600V.
 - "SERVICE" SERVICE CIRCUITS BETWEEN SERVICE POINT AND SERVICE DISCONNECT.
 - "SPRINKLER CONTROL" SPRINKLER CONTROL CIRCUITS, 50 VOLTS OR LESS.
 - "IRRIGATION" CIRCUIT FOR IRRIGATION CONTROLLER, 120 VOLTS OR MORE.
 - "RAMP METER" RAMP METER CIRCUITS.
 - "COUNT STATION" COUNT AND/OR SPEED MONITOR CIRCUITS.
 - "TELEPHONE" TELEPHONE SERVICE.
 - "TOS COMMUNICATIONS" TOS COMMUNICATIONS TRUNK LINE.
 - "TOS POWER" TOS POWER.
 - "TDC POWER" TELEPHONE DEMARCATION CABINET POWER.
 - "SIGNAL INTERCONNECT" TRAFFIC SIGNAL INTERCONNECT CIRCUIT.
- COVERS SHALL FIT FLUSH WITH THE TOP OF PULL BOXES. THERE SHALL BE 1/8" MAXIMUM CLEARANCE ALL AROUND BETWEEN COVERS AND PULL BOX OPENINGS.
- ALL COVERS AND BOXES SHALL BE INTERCHANGEABLE WITH CALIFORNIA STANDARD MALE AND FEMALE GAUGES. WHEN INTERCHANGED WITH STANDARD MALE OR FEMALE GAUGE, THE TOP SURFACES SHALL BE FLUSH WITHIN 1/8 INCH.
- THE TOP EDGES OF ALL CONCRETE COVER AND PULL BOXES SHALL HAVE A 1/4" MINIMUM RADIUS.
- STACKING OF PULL BOXES IS PERMITTED (TWO PULL BOXES MINIMUM).
- STEEL REINFORCING SHALL BE A REGULARLY USED IN THE STANDARD PRODUCTS OF THE RESPECTIVE MANUFACTURER.



SECTION B-B

DATE: 01/17/2007		NOT TO SCALE	
REVISION	BY	APPROVED	DATE

CITY OF ELK GROVE - PUBLIC WORKS

STANDARD PULL BOX

APPROVED BY:

CITY ENGINEER

DRAWING NUMBER

SL - 4

