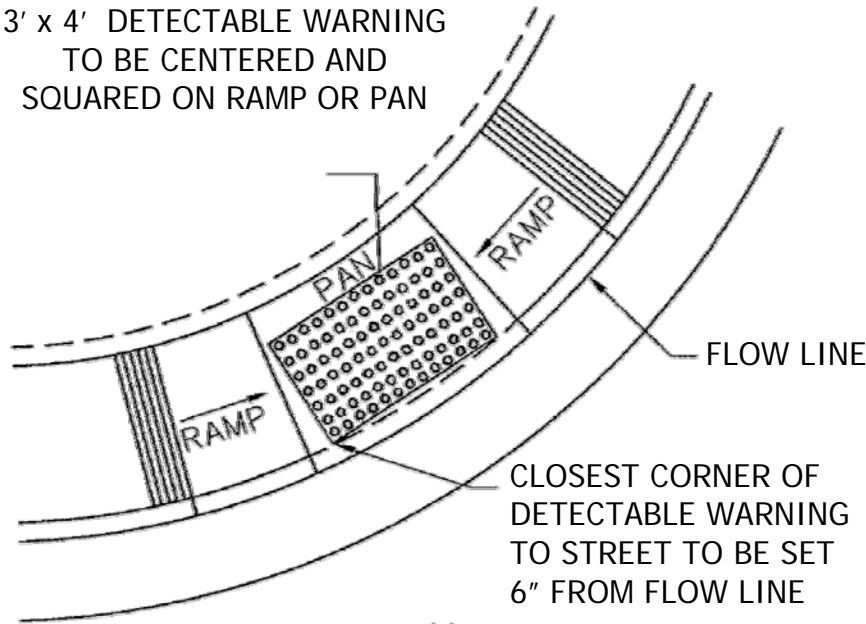
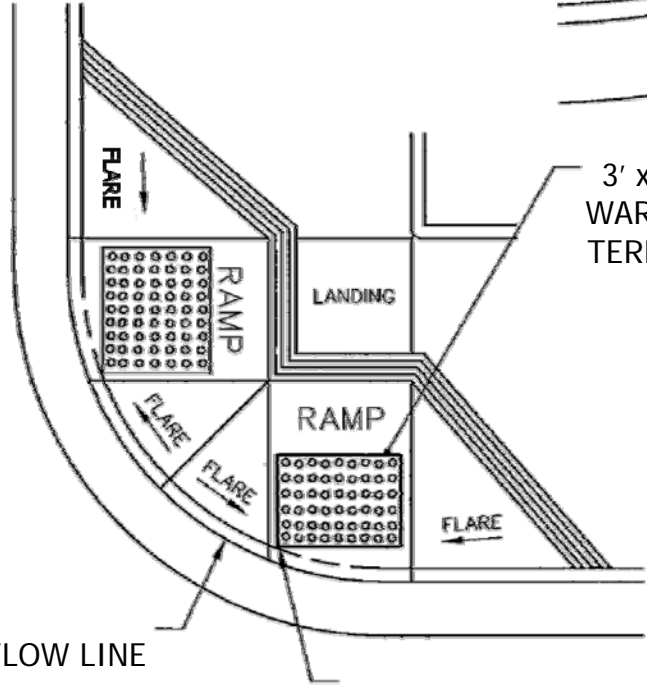


3' x 4' DETECTABLE WARNING TO BE CENTERED AND SQUARED ON RAMP OR PAN

CLOSEST CORNER OF DETECTABLE WARNING TO STREET TO BE SET 6" FROM FLOW LINE

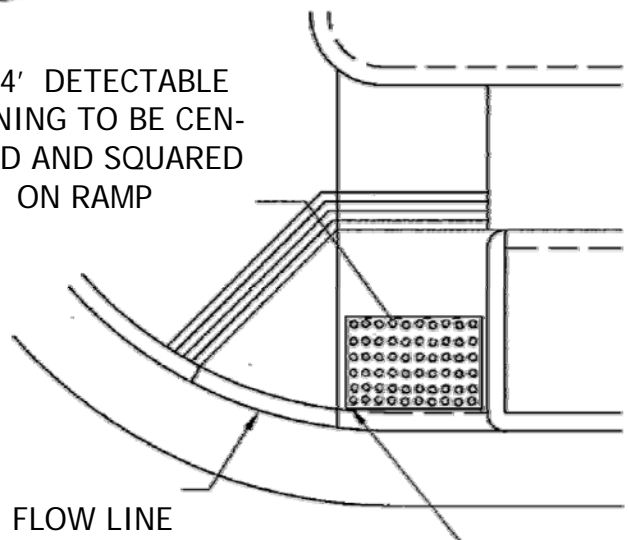


CLOSEST CORNER OF DETECTABLE WARNING TO STREET TO BE SET 6" FROM FLOW LINE



3' x 4' DETECTABLE WARNING TO BE CENTERED AND SQUARED ON RAMP

CLOSEST CORNER OF DETECTABLE WARNING TO STREET TO BE SET 6" FROM FLOW LINE



DATE: 09/04/07		NOT TO SCALE	
REVISION	BY	APPROVED	DATE

CITY OF ELK GROVE - PUBLIC WORKS

APPROVED BY:

CITY ENGINEER

**DETECTABLE WARNING
STANDARD LAYOUT**



DRAWING NUMBER
AR - 3.2